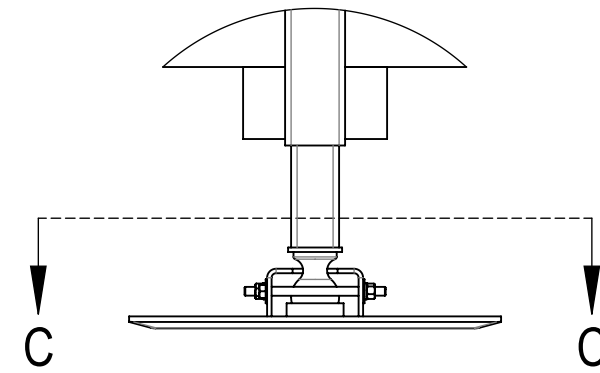
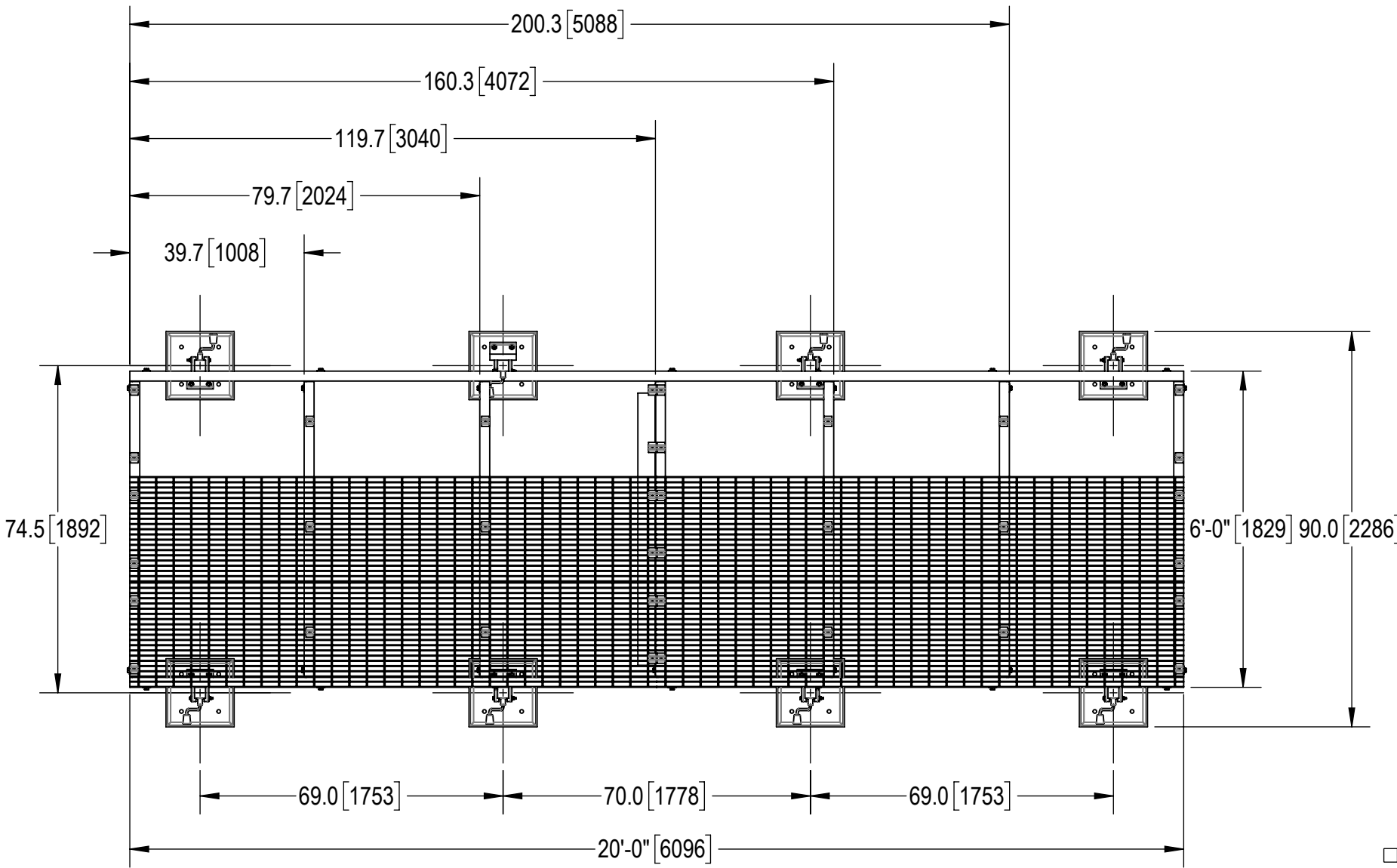
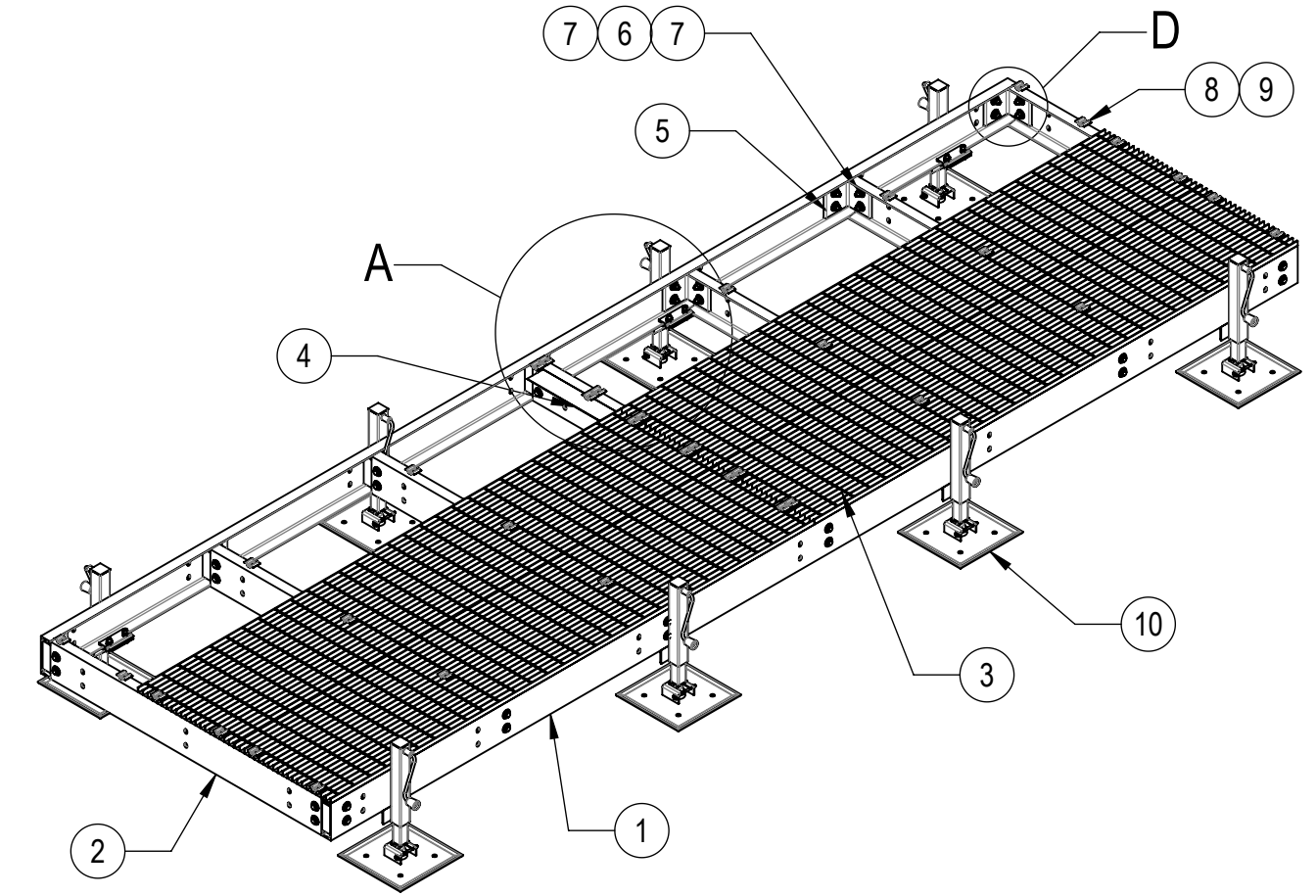


- 1.0 GENERAL NOTES  
 1.1 ALL METRIC DIMENSIONS ARE IN BRACKETS [X.X]  
 1.2 FOR PATENT INFO: <https://www.cs-pat.com>  
 2.0 DESIGN NOTES  
 3.0 MANUFACTURING/SPECIAL REQUIREMENTS  
 3.1 TIGHTEN ALL BOLTS SECURING FLAT PLATES BY THE TURN-OF-NUT METHOD. TIGHTEN ALL U-BOLTS USING TURN-OF-NUT METHOD WITH ATTENTION TO LEAVE EQUAL DISTANCE AND EQUAL FORCE ON EACH LEG OF THE U-BOLT.  
 4.0 TEST  
 5.0 PACKAGING  
 5.1 PACKAGING SHALL MEET COMMSCOPE REQUIREMENTS PER DOCUMENT IS-PL-3005  
 5.2 PRINTED DOCUMENT TO BE PLACED INSIDE POLYBAG AND THEN IN SHIPPING CONTAINER  
 5.3 EXTRA HARDWARE MAY BE SUPPLIED, BAGGED AND SHIPPED

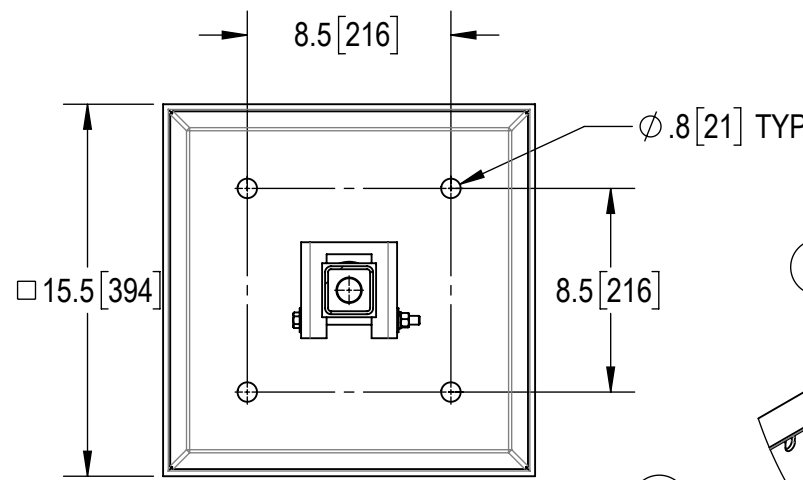
REVISIONS			
REV.	DESCRIPTION	DATE	APPROVED
A	INITIAL RELEASE	DRR 04APR12	TP
B	UPDATED DRAWING FORMAT	LL1090 23AUG24	YC1015 40203043CMO



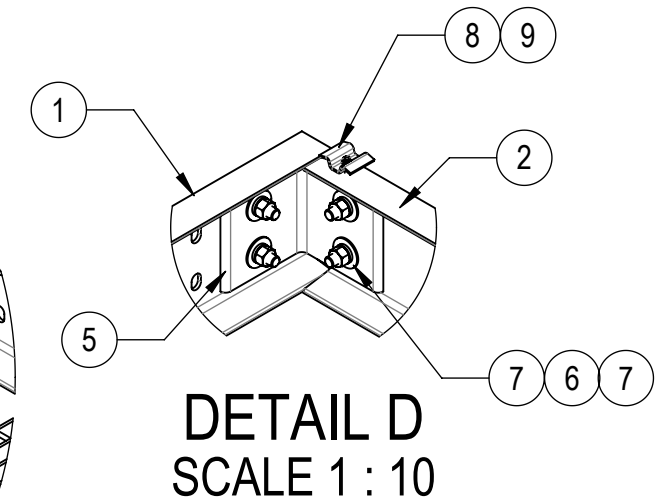
DETAIL B  
SCALE 1 : 8



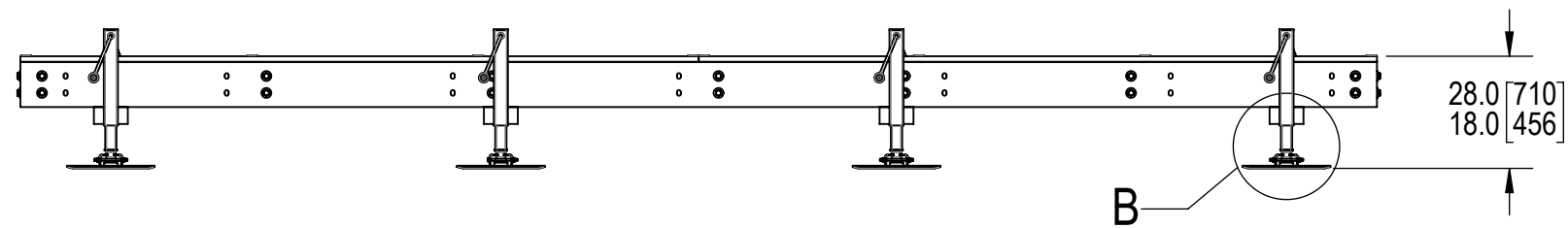
DETAIL A  
SCALE 1 : 10



SECTION C-C  
SCALE 1 : 8



DETAIL D  
SCALE 1 : 10



COMPONENT PART NUMBERS PROVIDED FOR ASSEMBLY PURPOSES;  
 INDIVIDUAL COMPONENTS MAY BE SHIPPED AS PARTS WITHIN AN INCLUDED KIT.

ITEM	PART NO.	DESCRIPTION	QTY.	WEIGHT	NOTE NO.
1	MTC7902102001	20' SIDE CHANNEL	2	227.29 LBS	
2	MTC8822061001	6' CENTER CHANNEL	7	63.61 LBS	
3	MTC917009	24" X 120" BAR GRATING	6	141.45 LBS	
4	EQP062001	GRATING SECTION BRACKET 6' WIDE PLATFORM	1	33.75 LBS	
5	MTC790203	CHANNEL ADAPTER ANGLE	14	7.07 LBS	
6	GB-05205	5/8" X 2" GALV BOLT KIT	59	0.26 LBS	
7	GWF-05	5/8" GALV FLAT WASHER, 1.7OD	118	0.06 LBS	
8	MTC390324	BAR GRATING CLIP	36	0.17 LBS	
9	TS1220	12-24 X 2" SELF DRILLING SCREW	36	0.03 LBS	
10	EQ-P-AL	ADJ. LEG FOR EQUIPMENT PLATFORMS	8	56 LBS	

DENSITY	2364.74	lbs/in <sup>3</sup>
MASS	8013.37	lbs
VOLUME	77389.35	in <sup>3</sup>
SURFACE AREA		in <sup>2</sup>
HEIGHT	18.0"	
LENGTH	240.0"	
WIDTH	90.0"	

**COMMSCOPE, INC. OF NORTH CAROLINA**

TOLERANCES  
 1 PLACE .X[X] ± 0.12[3.0]    3 PLACE .XXX[X] ± 0.031[0.8]  
 2 PLACE .XX[X] ± 0.06[1.5]    ANGLES ± 2°

SAP MATERIAL MASTER  
**EQ-P0620-AL**

FINISH: \_\_\_\_\_ MATERIAL: \_\_\_\_\_

NAME	DATE	TITLE
CE DRR	04APR12	6' X 20' EQUIPMENT PLATFORM (8) EQ-P-AL
RW LL1090	08/23/2024	
AD YC1015	08/25/2024	
RE YMENG	08/26/2024	

SCALE: **1:24** DOCUMENT NO.: **EQ-P0620-AL**

ECN 40203043CMO

SIZE	Auth Group	INSL	MODEL	DRAWING			SHEET
C	RE	B	00	VERSION	STATUS	REVISION	1 OF 1
				00	RE	B	