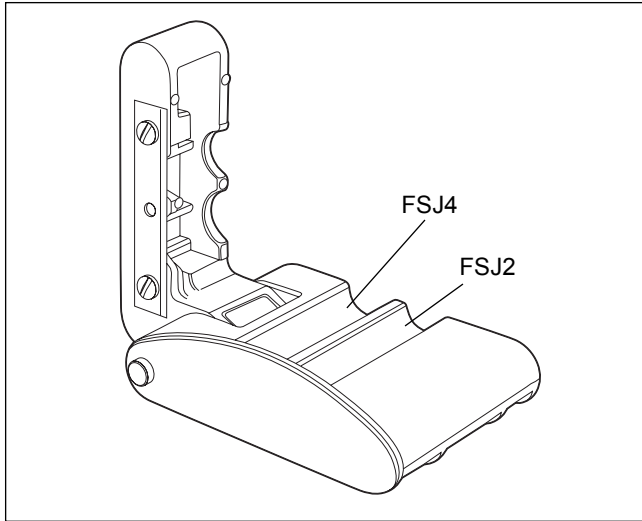
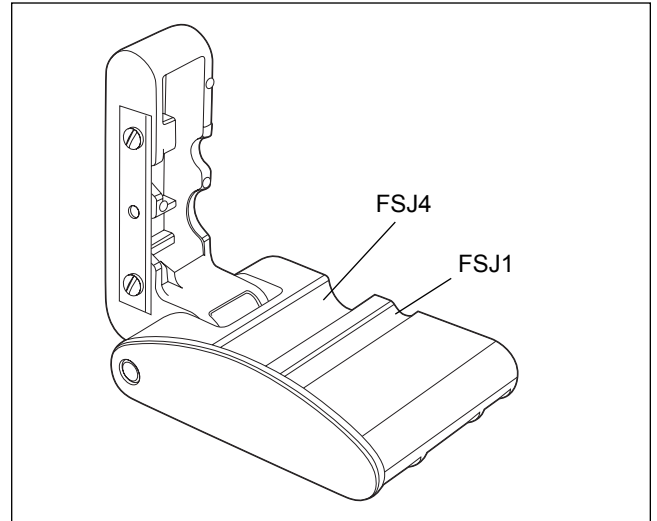


## EASIA<sup>®</sup> Cable Prep Tools for FSJ4, FSJ2, and FSJ1 Style Cables

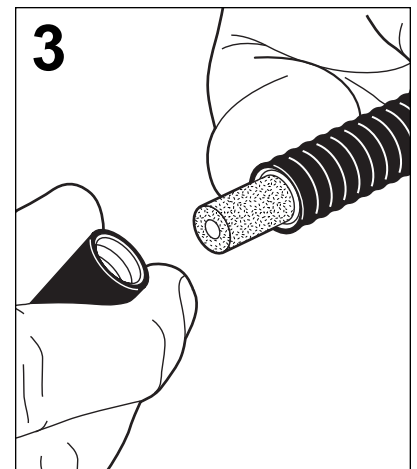
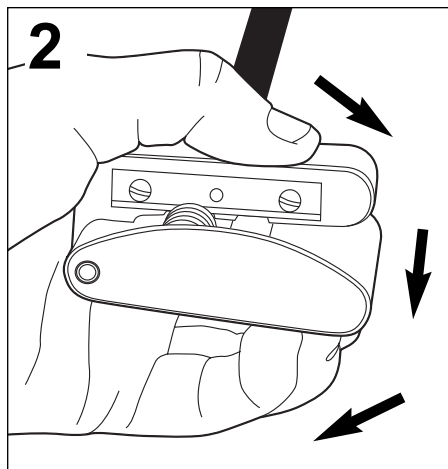
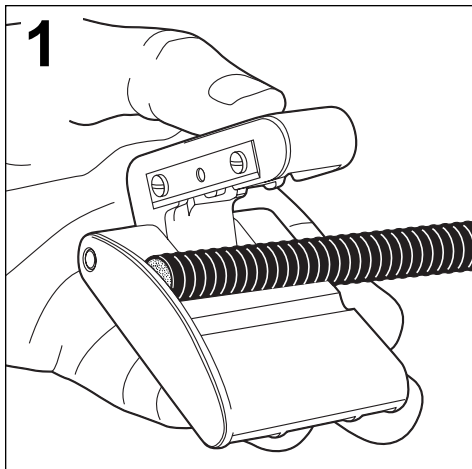
Bulletin 237703  
Rev B



Andrew MCPT-3812



Andrew MCPT-1412



**4** Proceed to the appropriate connector bulletin to complete the remaining attachment steps.

Vaya al boletín apropiado del conector para completar los restantes pasos de conexión.

Consultez le bulletin approprié au connecteur pour terminer la installation.

Die weiteren Schritte zur Steckermontage entnehmen Sie bitte der jeweiligen Installationsanleitung, die jedem Steckverbinder beigefügt ist.

Consultare le apposite istruzioni di connessione per completare il collegamento.

Consulte o folheto do conector para completar os passos remanescentes de fixação.

翻到合适的连接器信息页，完成剩下的附件使用步骤。

**ANDREW an Amphenol company**  
2601 Telecom Parkway, Richardson, Texas, 75082, USA  
www.andrew.com

**Technical Support**  
+1 888 297 6433, Option 3 (Toll Free US and Canada)  
awpnarsupport@andrew.com

Notice: ANDREW disclaims any liability or responsibility for the results of improper or unsafe installation, inspection, maintenance, or removal practices.  
Aviso: ANDREW no acepta ninguna obligación ni responsabilidad como resultado de prácticas incorrectas o peligrosas de instalación, inspección, mantenimiento o retiro.  
Avis: ANDREW décline toute responsabilité pour les conséquences de procédures d'installation, d'inspection, d'entretien ou de retrait incorrectes ou dangereuses.  
Hinweis: ANDREW lehnt jede Haftung oder Verantwortung für Schäden ab, die aufgrund unsachgemäßer Installation, Überprüfung, Wartung oder Demontage auftreten.  
Atenção: A ANDREW abdica do direito de toda responsabilidade pelos resultados de práticas inadequadas e sem segurança de instalação, inspeção, manutenção ou remoção.  
Avvertenza: ANDREW declina eventuali responsabilità derivanti dall'esecuzione di procedure di installazione, ispezione, manutenzione e smontaggio improprie o poco sicure.  
注意: ANDREW 公司申明對於不恰當或不安全的安裝、檢驗、維修或拆卸操作所導致的後果不負責任 何義務和責任

©2025 ANDREW, an Amphenol company. All rights reserved. Amphenol and ANDREW are registered trademarks of Amphenol and/or its affiliates in the U.S. and other countries. All product names, trademarks and registered trademarks are property of their respective owners.