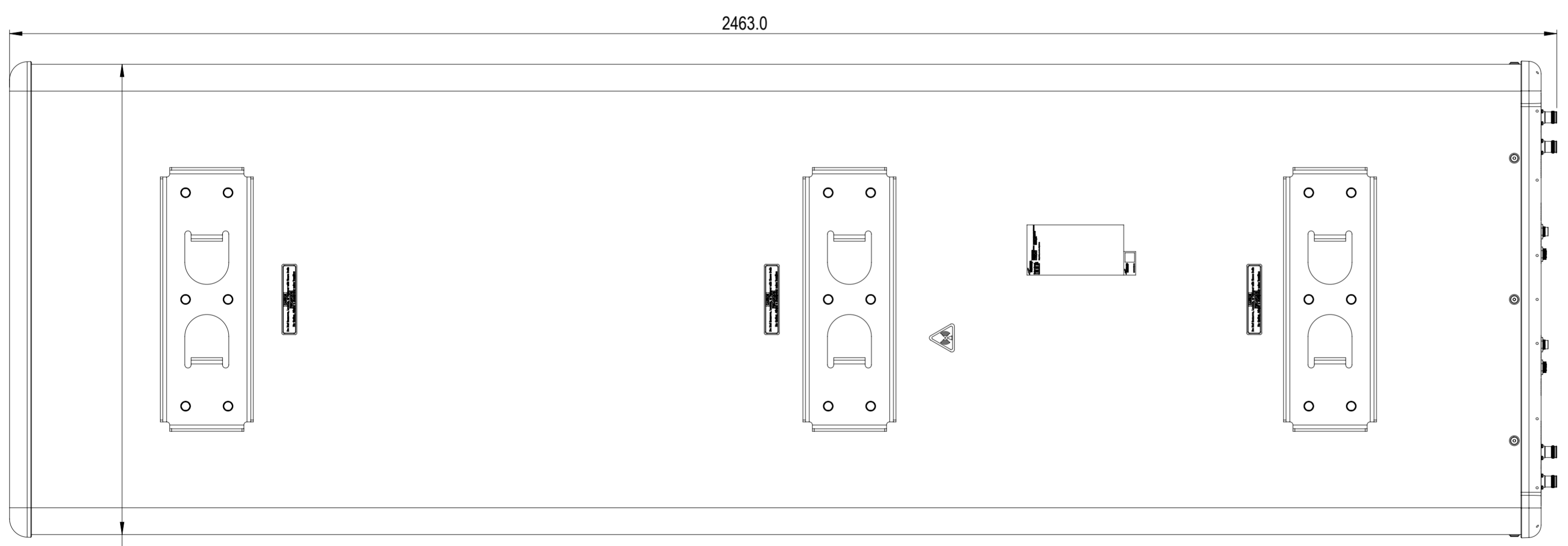
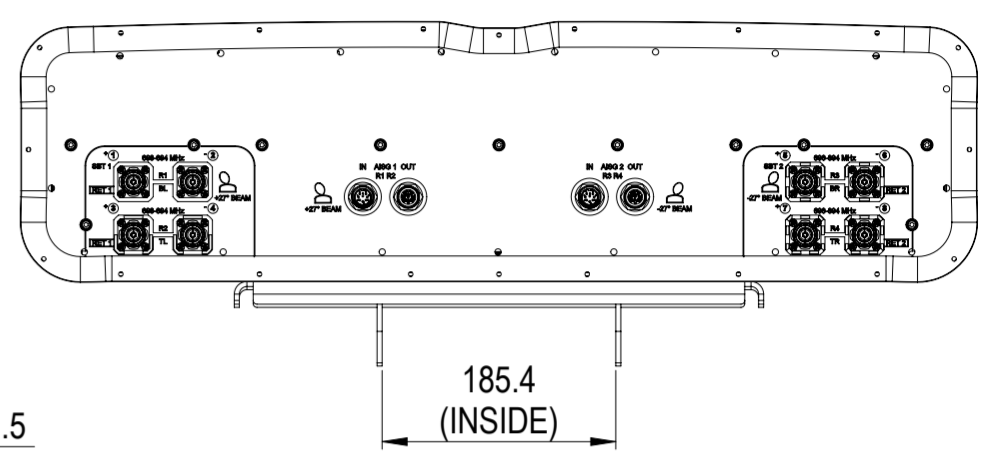
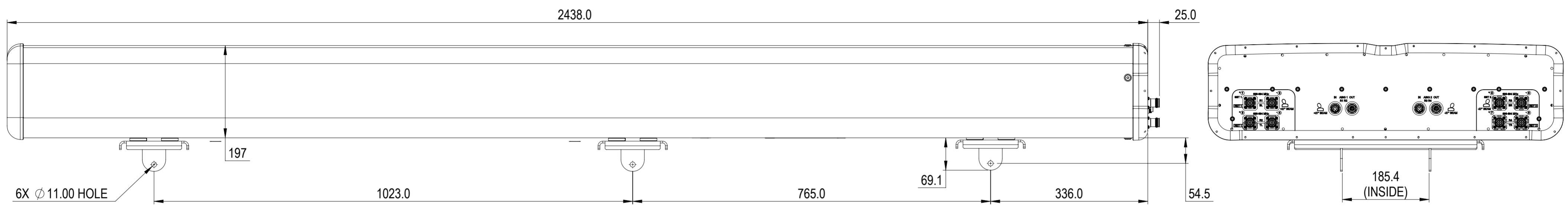


REVISION
B



2NN-33C-HG-R2B