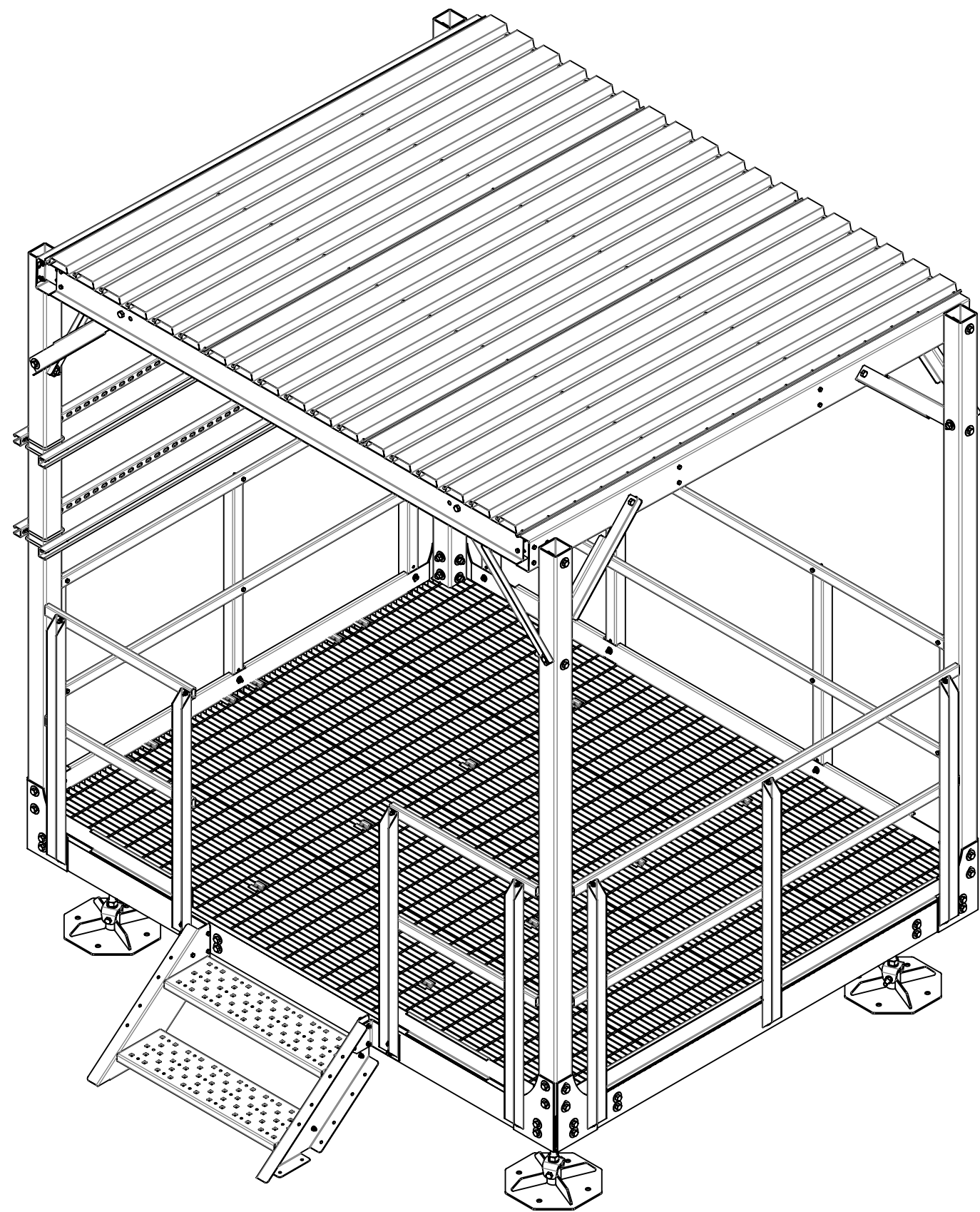


- 1.0 GENERAL NOTES  
 1.1 ALL METRIC DIMENSIONS ARE IN BRACKETS [X. X]  
 1.2 FOR PATENT INFO: <https://www.adwpat.com>  
 2.0 DESIGN NOTES  
 3.0 MANUFACTURING/SPECIAL REQUIREMENTS  
 3.1 TIGHTEN ALL BOLTS 3/8" OR LARGER SECURING FLAT PLATES SNUG TIGHT. TIGHTEN ALL U-BOLTS RODS SNUG TIGHT, WITH ATTENTION TO LEAVE EQUAL DISTANCE AND EQUAL FORCE ON EACH LEG OF U-BOLT.  
 3.2 SNUG TIGHT IS DEFINED AS THE CONDITION OBTAINED WITH A FEW IMPACTS OF AN IMPACT WRENCH OR THE FULL EFFORT OF AN INSTALLER USING AN ORDINARY SPUD WRENCH TO BRING THE CONNECTED LAYERS (PLIES) OF STEEL INTO FULL CONTACT.  
 3.3 FOR BOLTS IN A PATTERN, TIGHTEN IN A CRISS-CROSS OR STAR SEQUENCE, INCREASING TORQUE IN GRADUAL STEPS UNTIL SNUG TIGHT.  
 4.0 TEST  
 5.0 PACKAGING  
 5.1 PACKAGING SHALL MEET ANDREW REQUIREMENTS PER DOCUMENT IS-PL-3005  
 5.2 PRINTED DOCUMENT TO BE PLACED INSIDE POLYBAG AND THEN IN SHIPPING CONTAINER  
 5.3 EXTRA HARDWARE MAY BE SUPPLIED, BAGGED AND SHIPPED

REVISIONS			
REV.	DESCRIPTION	DATE	APPROVED
A	INITIAL RELEASE	DRR 04APR17	TP
B	REVISED LEG STYLE AND LOCATION	DRR 19APR17	04/19/17
C	ADDED SHEET 6, INCREASED QUANTITY OF TS1275	DRR 28APR17	04/28/17
D	UPDATED DRAWING FORMAT TO NEW: MTC390324 AND TS1220 WAS GCM03; MTC398905 WAS MTC396602	LL1090 27APR26	BA1025 50108161AMO




COMPONENT PART NUMBERS PROVIDED FOR ASSEMBLY PURPOSES;  
 INDIVIDUAL COMPONENTS MAY BE SHIPPED AS PARTS WITHIN AN INCLUDED KIT.

ITEM	PART NO.	DESCRIPTION	QTY.	WEIGHT	NOTE NO.
1	EQP6C041001	10' PLATFORM CHANNEL SIDE	2	80.98 LBS	
2	MT504100	UNISTRUT, 100" LENGTH	4	14.47 LBS	
3	MTC3966100	CHANNEL, CANOPY SUPPORT - PRIMARY	2	37.95 LBS	
4	MTC3966106	CHANNEL, CANOPY SUPPORT - SECONDARY	4	31.38 LBS	
5	MTC3966110	POST, CANOPY - 4 X 4	4	112.545 LBS	
6	MTC396613	8' PLATFORM CHANNEL CENTER	4	62.60 LBS	
7	MTC396620	POST, HANDRAIL	14	9.96 LBS	
8	MTC396622	HANDRAIL, HORIZONTAL	2	19.99 LBS	
9	MTC396623	PLATE, HANDRAIL TOEBOARD	1	17.89 LBS	
10	MTC396627	HANDRAIL, HORIZONTAL	4	15.65 LBS	
11	MTC396628	PLATE, HANDRAIL TOEBOARD	2	14.50 LBS	
12	MTC7902081001	24" X 120" BAR GRATING	4	141.45 LBS	
13	RDB2036100	ROOF DECKING B 20 GA 36" X 100"	3	51.72 LBS	
14	GB-03205	3/8" X 2" GALV BOLT KIT	28	0.08 LBS	
15	GB-05205	5/8" X 2" GALV BOLT KIT	102	0.26 LBS	
16	GB-05545	5/8" X 5-1/2" GALV BOLT KIT	28	0.56 LBS	
17	MTC390324	BAR GRATING CLIP	24	0.17 LBS	
18	TS1220	12-24 X 2" SELF DRILLING SCREW	24	0.03 LBS	
19	GWF-03	3/8" GALV FLAT WASHER	22	0.01 LBS	
20	TS1275	TEK SCREW #12 X 3/4, WITH NEOPRENE WASHER	102	0.02 LBS	
21	MTC371084	3/8" X 4" X 5" SQUARE U-BOLT	8	0.50 LBS	
22	EQPS36	STEP, GALVANIZED	2	16.93 LBS	
23	MTC3813C14	CANOPY BRACE, 11 GA, 30"	8	4.18 LBS	
24	MTC3813S07	FRAME, RIGHT STAIR 2 STEP SIDE	1	11.00 LBS	
25	MTC3813S08	FRAME, LEFT STAIR 2 STEP SIDE	1	11.00 LBS	
26	MTC398905	BRACKET, CHANNEL ADAPTER	8	0.84 LBS	
27	MTC396612	CHANNEL, SUPPORT - LEG	4	24.47 LBS	
28	MTC396621	PLATE, CANOPY LEG SUPPORT	8	6.47 LBS	
29	MTC396624	BRACKET, STEP MOUNTING	2	3.72 LBS	
30	MTC396625	HANDRAIL, HORIZONTAL	4	5.94 LBS	
31	MTC396626	PLATE, HANDRAIL TOEBOARD	2	4.89 LBS	
32	MTCP01	6" CHANNEL ADAPTER ANGLE	16	3.21 LBS	
33	GWF-05	5/8" GALV FLAT WASHER, 1.70D	240	0.06 LBS	
34	GB-03105	3/8" X 1" GALV BOLT KIT	60	0.05 LBS	
35	EQ-P-DF	EQUIPMENT PLATFORM DISPLACEMENT FOOT	4	37.77 LBS	

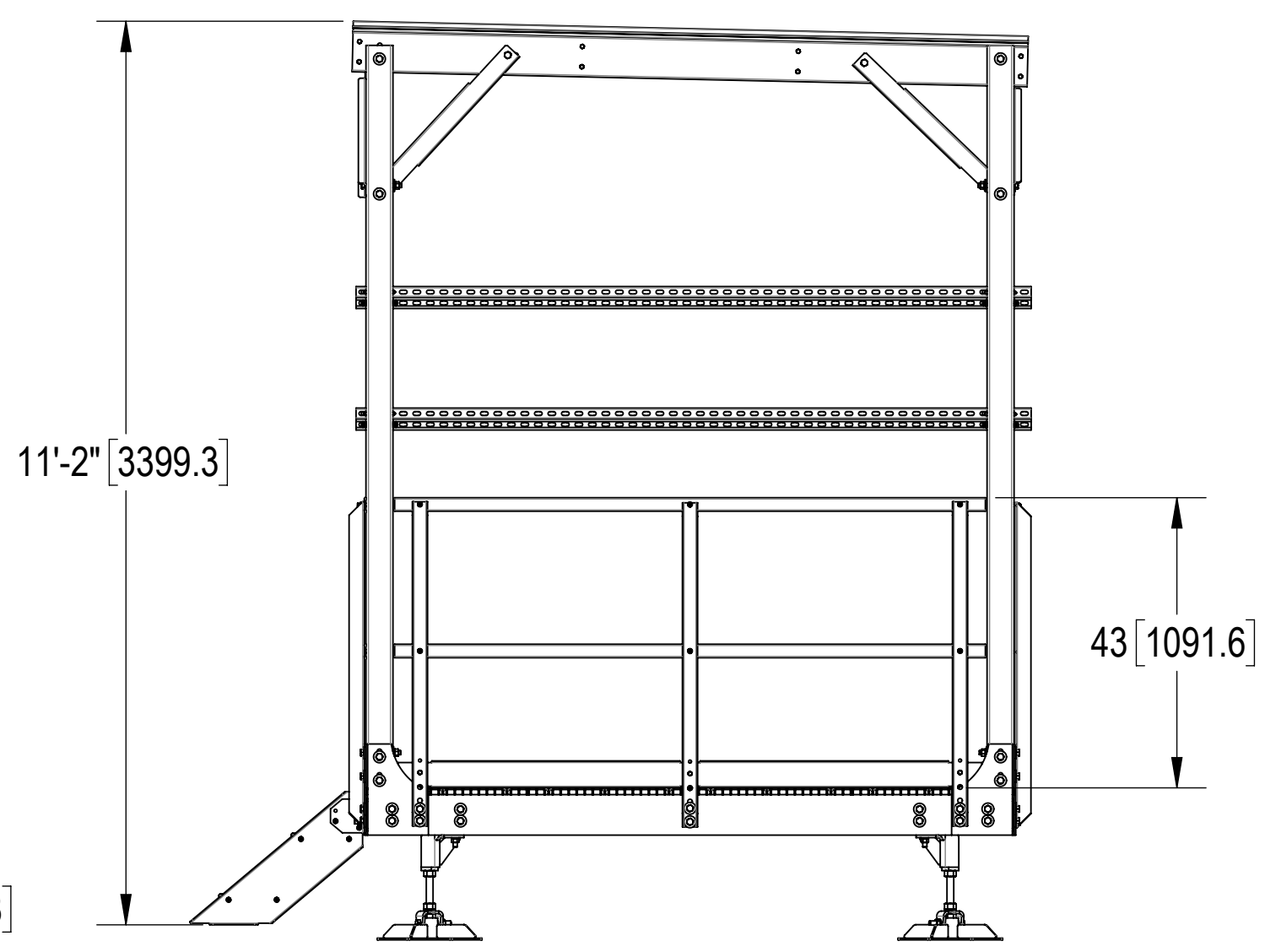
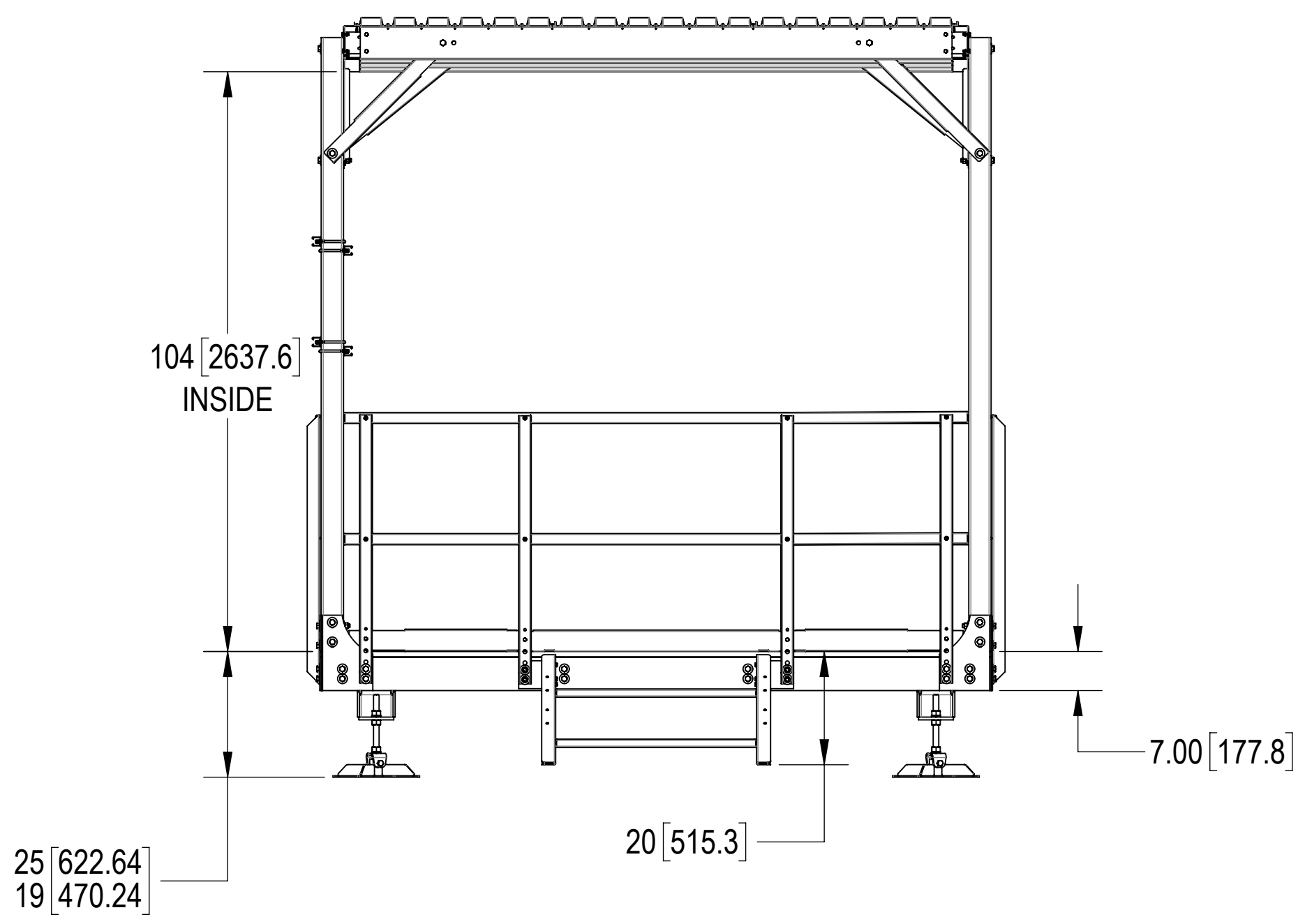
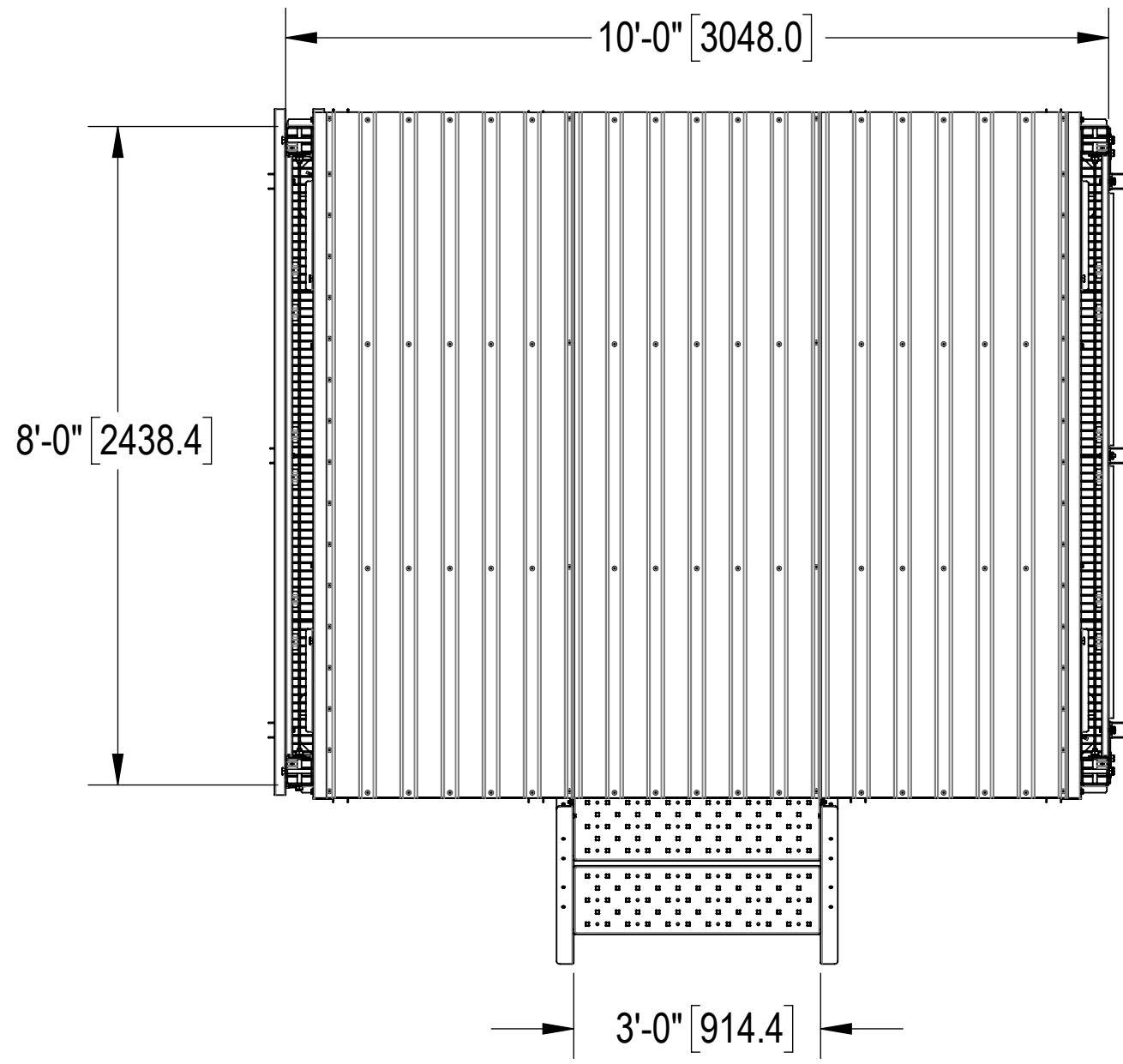
DENSITY	2708.77	lbs/in <sup>3</sup>
MASS	9603.20	lbs
VOLUME	135769.39	in <sup>3</sup>
SURFACE AREA		in <sup>2</sup>
HEIGHT	136.0"	
LENGTH	124.7"	
WIDTH	122.4"	

Confidential



**ANDREW**® an Amphenol company


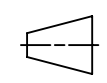
TOLERANCES		SAP MATERIAL MASTER	
0 PLACE X[X] ± 0.25[6.3]	2 PLACE .XX[X] ± 0.06[1.5]	<b>MTC396610</b>	
1 PLACE .X[X] ± 0.12[3.0]	ANGLES ± 2°		
FINISH		MATERIAL	
<small>UNLESS OTHERWISE SPECIFIED DIMENSIONS ARE IN INCHES INTERPRET PER ANSI Y 14.5M-1994</small>		NAME	DATE
		CE DRR	04APR17
		RW NSUN	04/29/2026
		AD YMENG	04/29/2026
RE YMENG	05/07/2026	<b>MTC396610</b>	
ECN 50108161AMO			
SIZE	Auth Group	INSL	MODEL
<b>C</b>			
VERSION		DRAWING	
01	RE	01	RE
SHEET		1 OF 6	



LEGS ADJUSTABLE +/- 5" TO ACCOUNT FOR GRADE

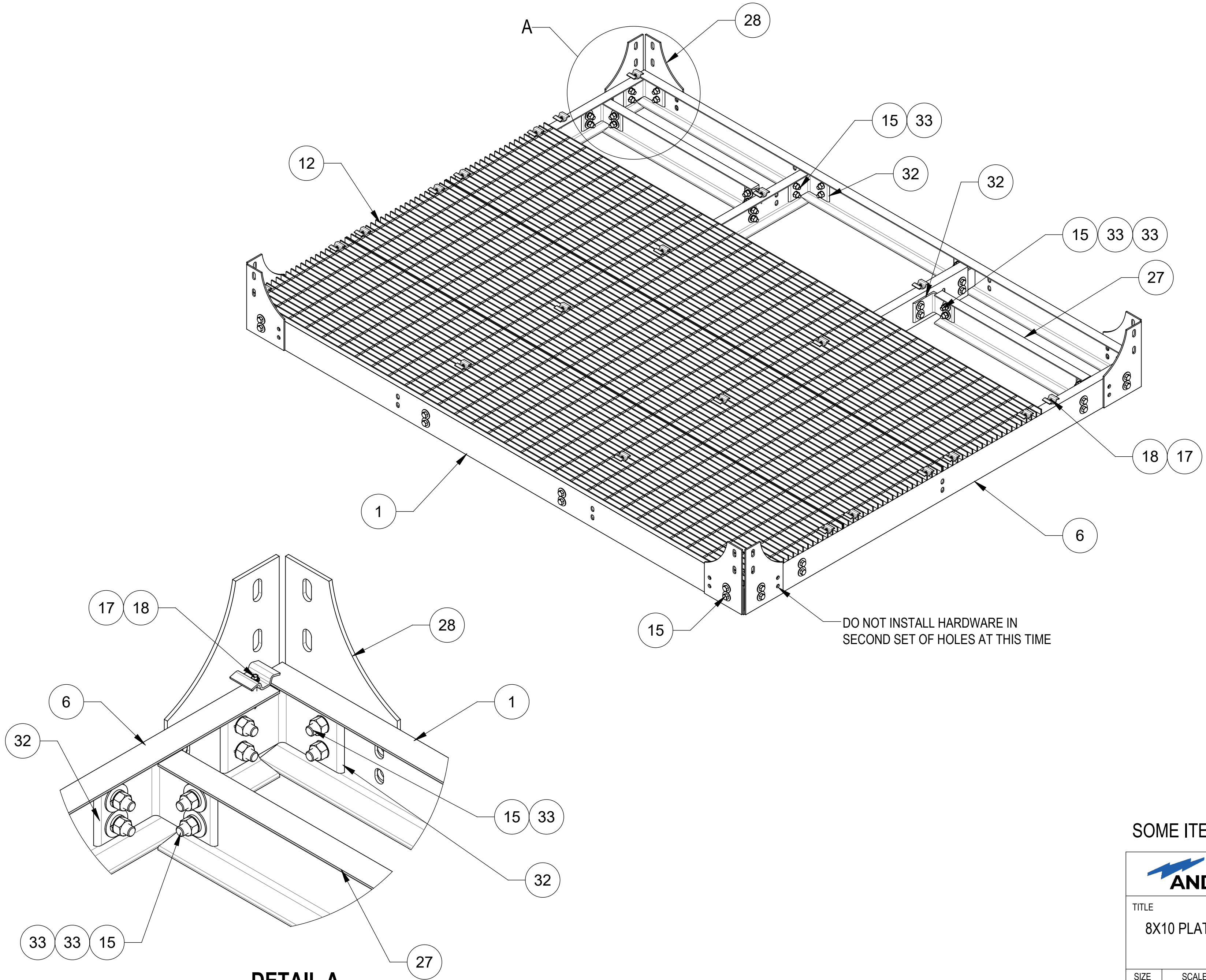
**ANDREW** an Amphenol company

TITLE  
8X10 PLATFORM WITH CANOPY/ STAIRS/HR

SIZE <b>C</b>	SCALE <b>1:24</b>	DOCUMENT NO. MTC396610		
 		DRAWING		SHEET
		VERSION 01	STATUS RE	REVISION D

Confidential

LOCATION OF HARDWARE AND ORIENTATION OF BRACKETS IS CRITICAL



**DETAIL A**  
SCALE 1 : 4

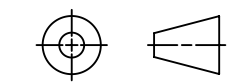
DO NOT INSTALL HARDWARE IN  
SECOND SET OF HOLES AT THIS TIME

SOME ITEMS OMITTED FOR CLARITY



TITLE				
8X10 PLATFORM WITH CANOPY/ STAIRS/HR				
SIZE	SCALE	DOCUMENT NO.		
<b>C</b>	<b>1:12</b>	MTC396610		
DRAWING				SHEET
VERSION	STATUS	REVISION	3 OF 6	
01	RE	D		

Confidential



4

3

2

1

D

D

C

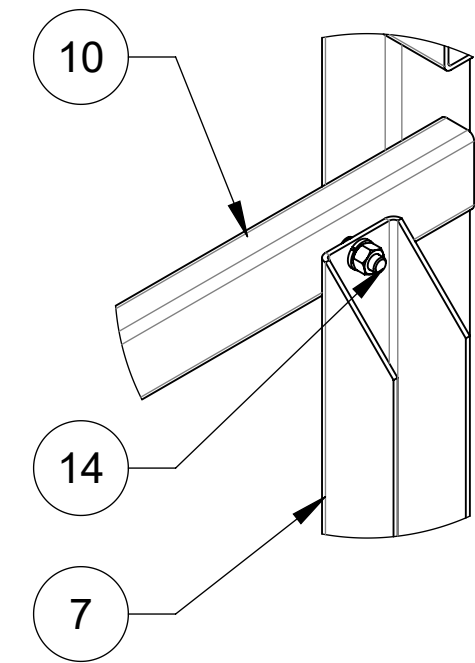
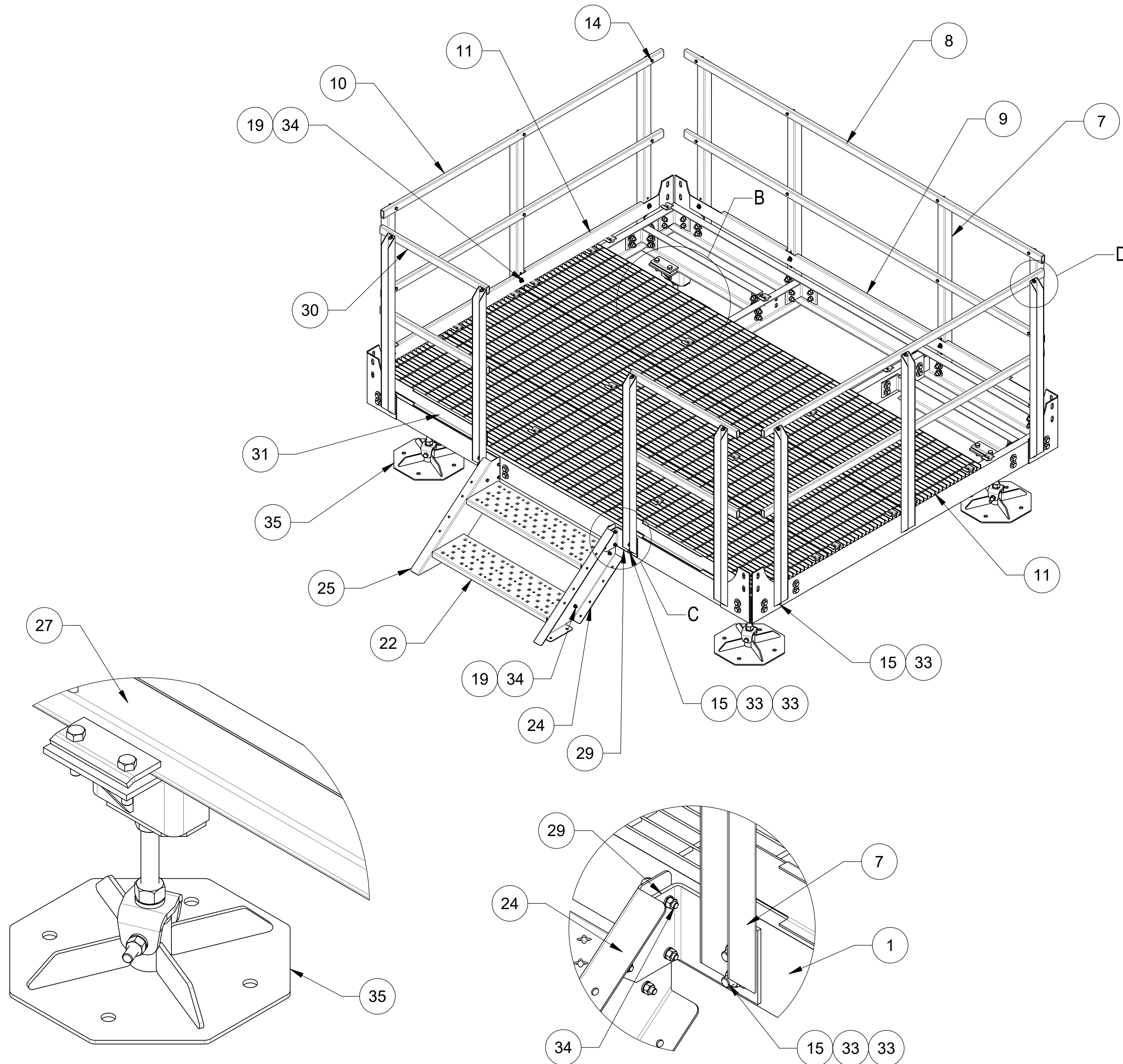
C

B

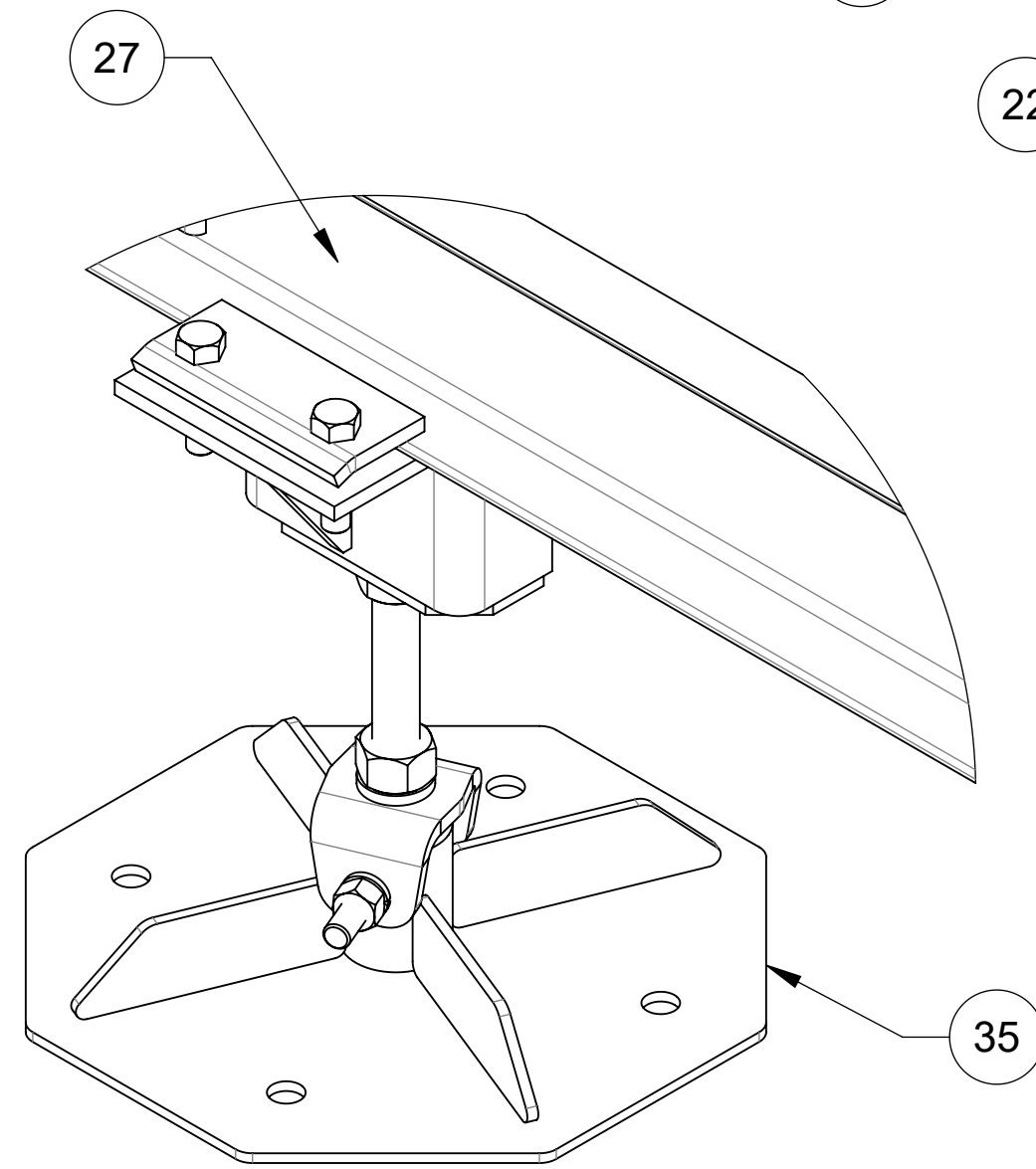
B

A

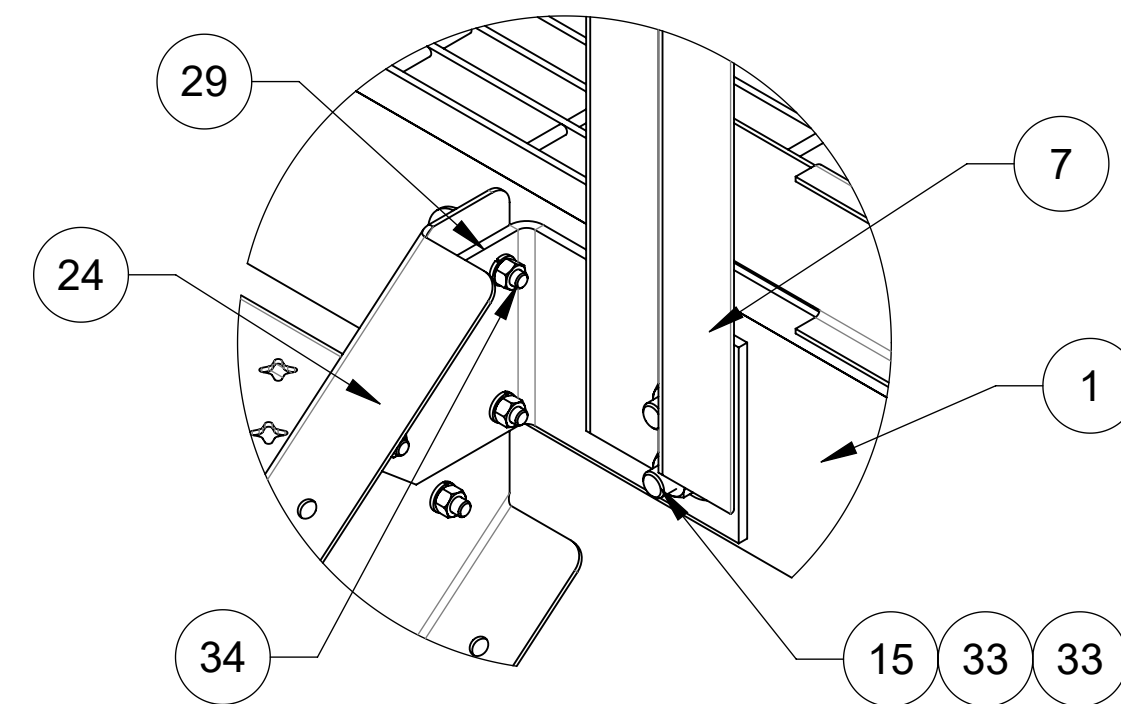
A



**DETAIL D**  
SCALE 1 : 4




**DETAIL B**  
SCALE 1 : 4



**DETAIL C**  
SCALE 1 : 4

SOME ITEMS OMITTED FOR CLARITY

 <b>ANDREW</b> an Amphenol company				
TITLE 8X10 PLATFORM WITH CANOPY/ STAIRS/HR				
SIZE <b>C</b>	SCALE <b>1:14</b>	DOCUMENT NO. MTC396610		
		DRAWING		SHEET
		VERSION	STATUS	REVISION
		01	RE	D
				4 OF 6

Confidential

4

3

2

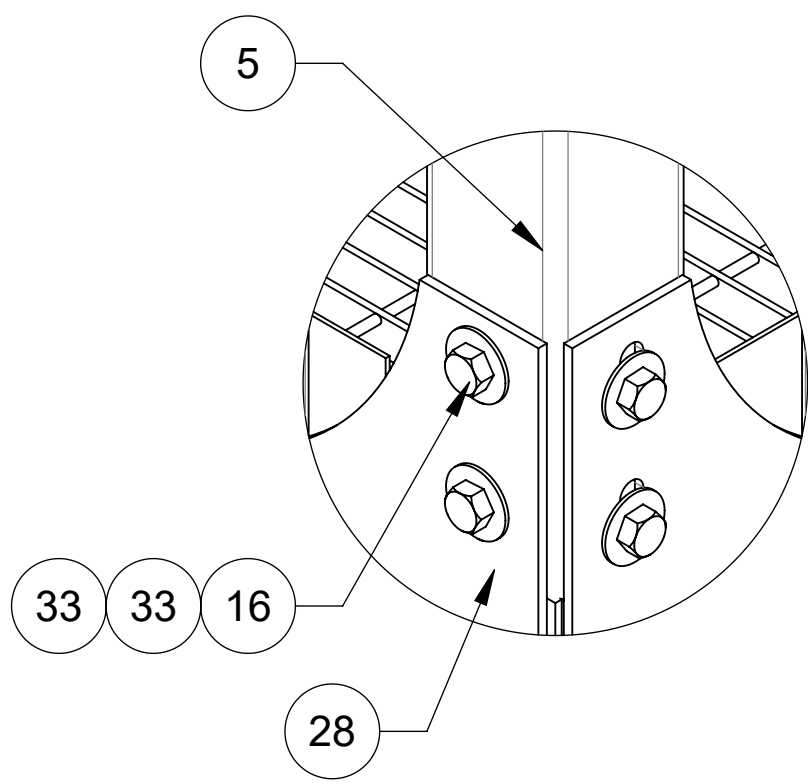
1

4

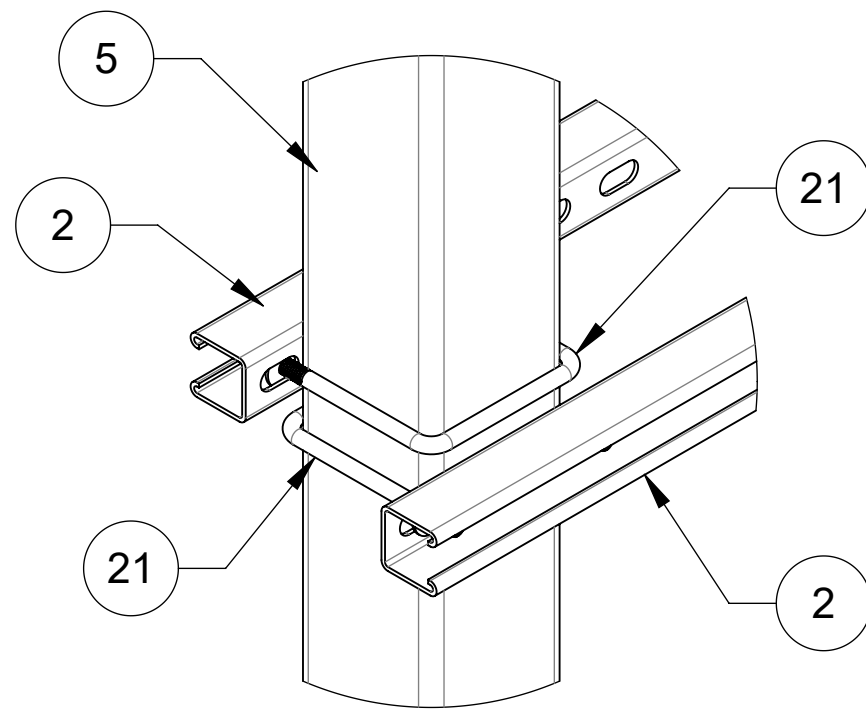
3

2

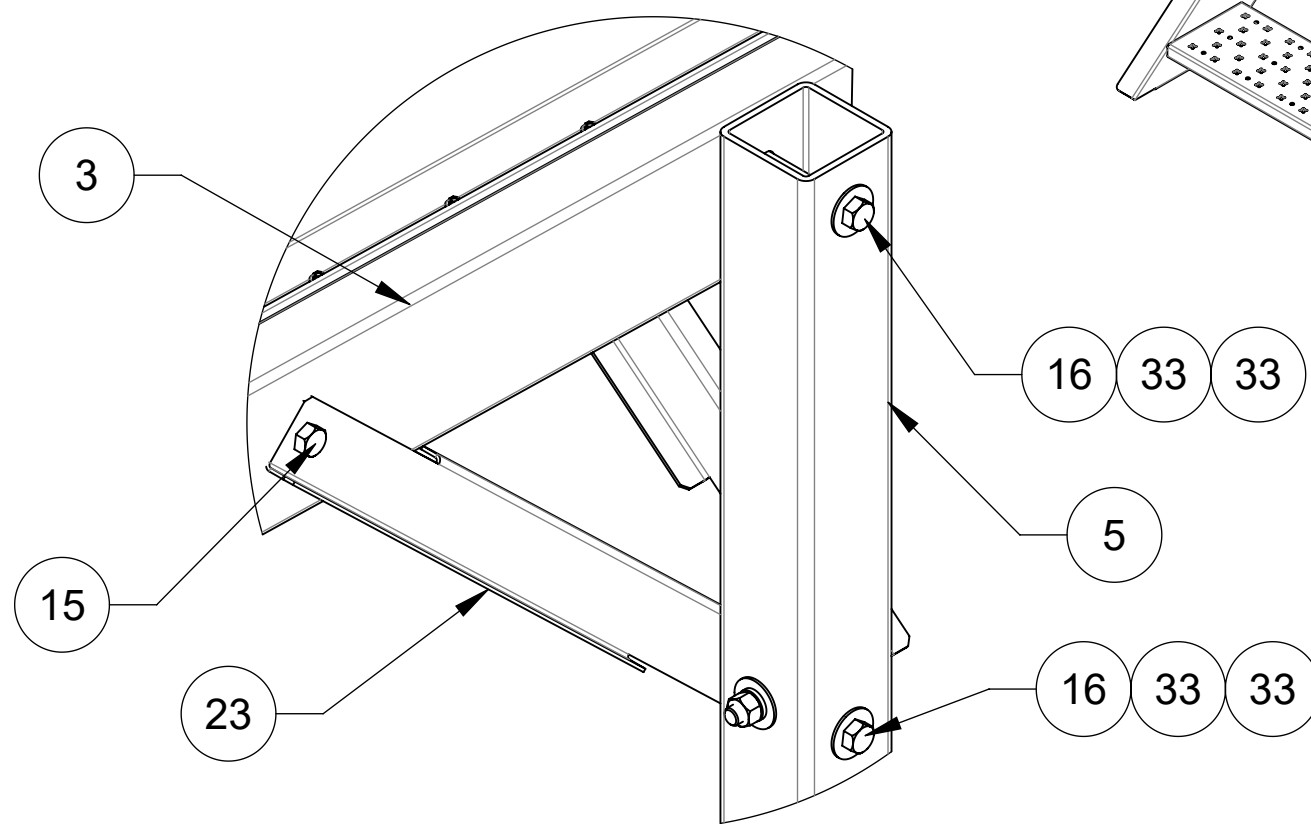
1



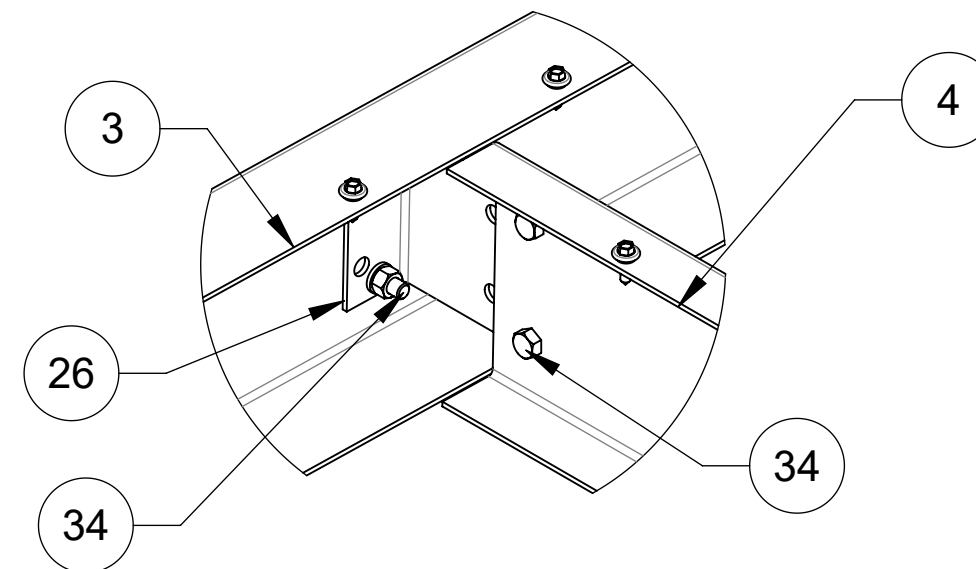
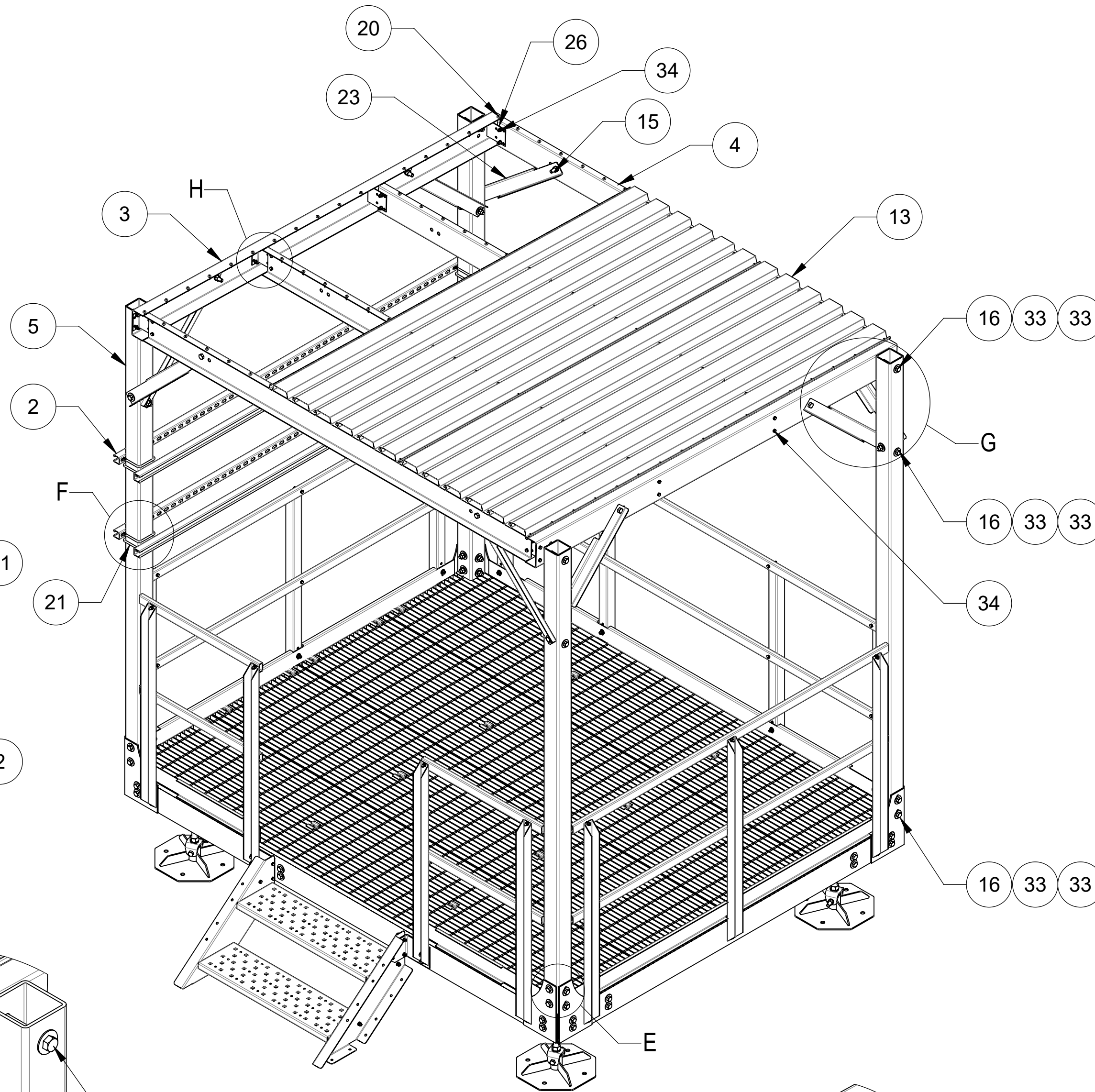
**DETAIL E**  
SCALE 1 : 4



**DETAIL F**  
SCALE 1 : 4



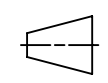


**DETAIL G**  
SCALE 1 : 6



**DETAIL H**  
SCALE 1 : 4

SOME ITEMS OMITTED FOR CLARITY

 <b>ANDREW</b> an Amphenol company				
TITLE 8X10 PLATFORM WITH CANOPY/ STAIRS/HR				
SIZE <b>C</b>	SCALE <b>1:18</b>	DOCUMENT NO. MTC396610		
 		DRAWING		SHEET
		VERSION 01	STATUS RE	REVISION D

Confidential

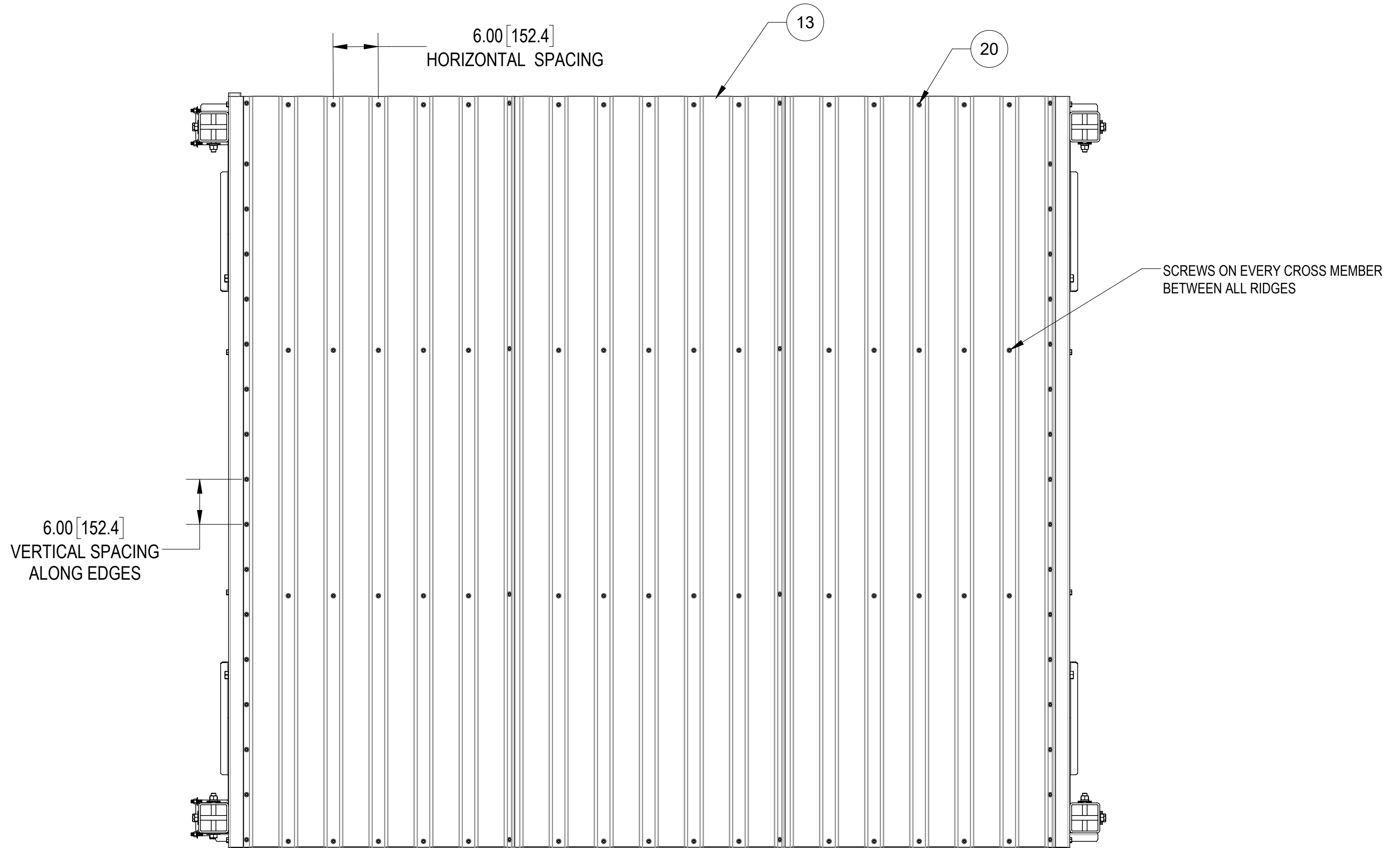
4

3

2


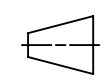
1

DETAILS FOR ASSEMBLY OF ROOF AND LOCATION/SPACING OF SCREWS



**ANDREW** an Amphenol company

TITLE  
8X10 PLATFORM WITH CANOPY/ STAIRS/HR

SIZE <b>C</b>	SCALE <b>1:10</b>	DOCUMENT NO. MTC396610			
 		DRAWING			SHEET 6 OF 6
		VERSION 01	STATUS RE	REVISION D	

Confidential