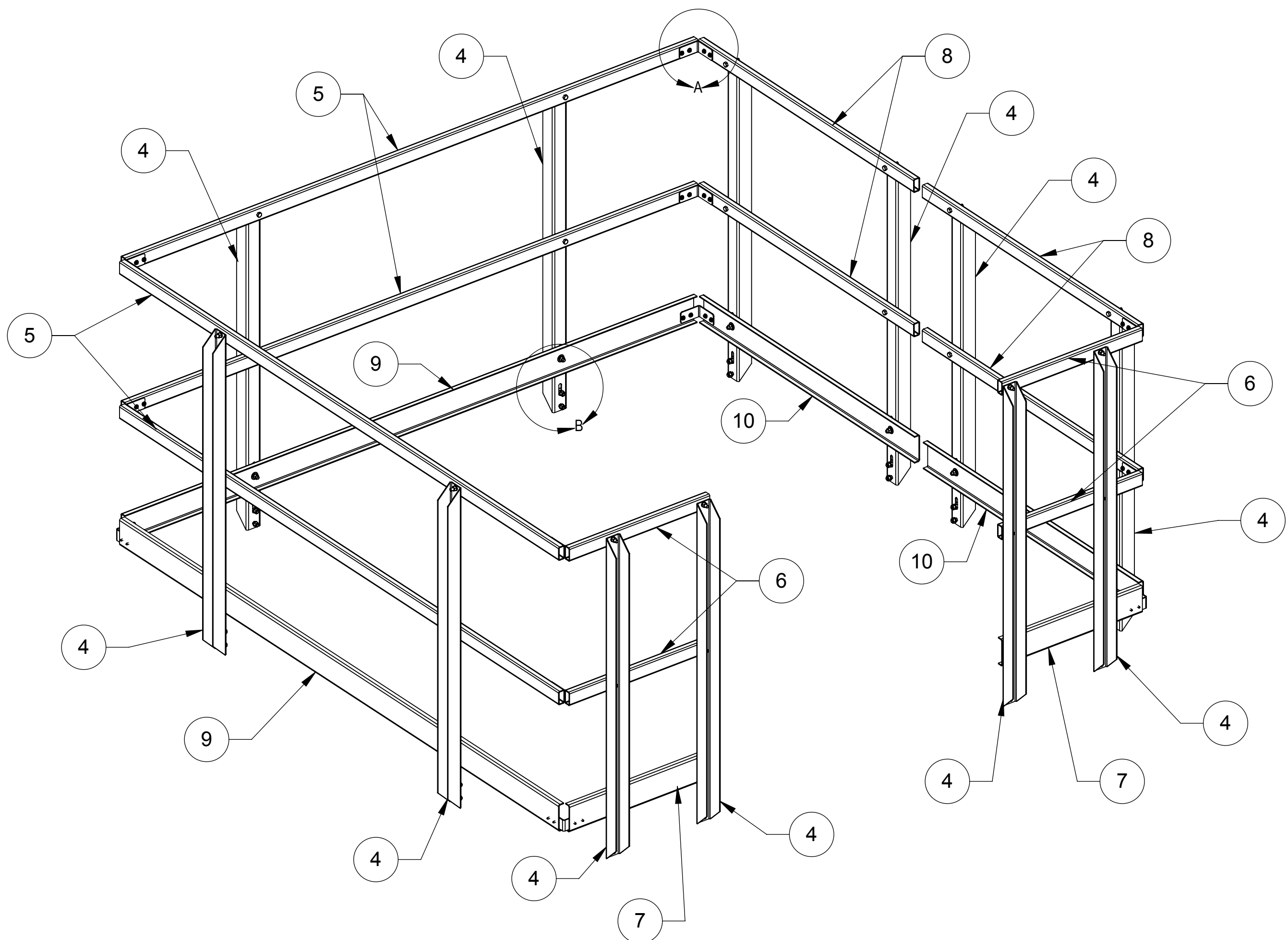
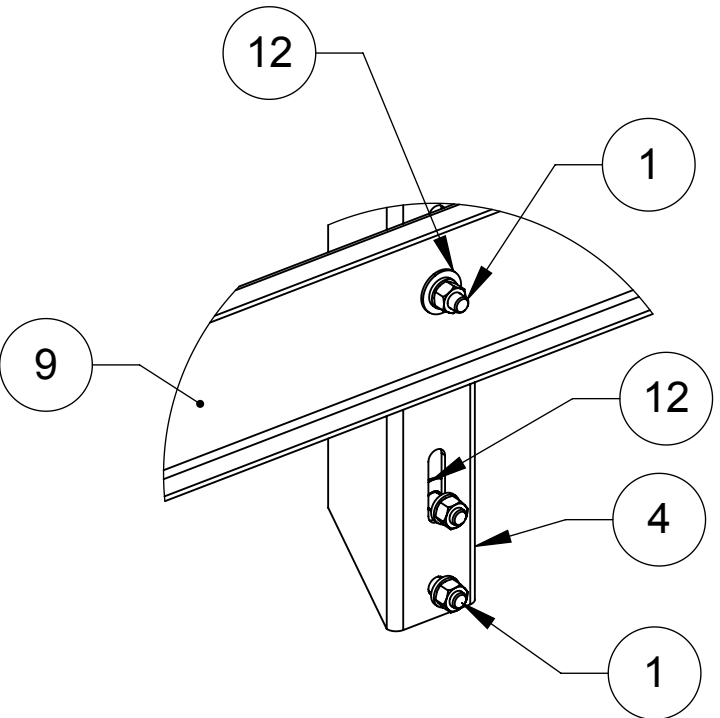
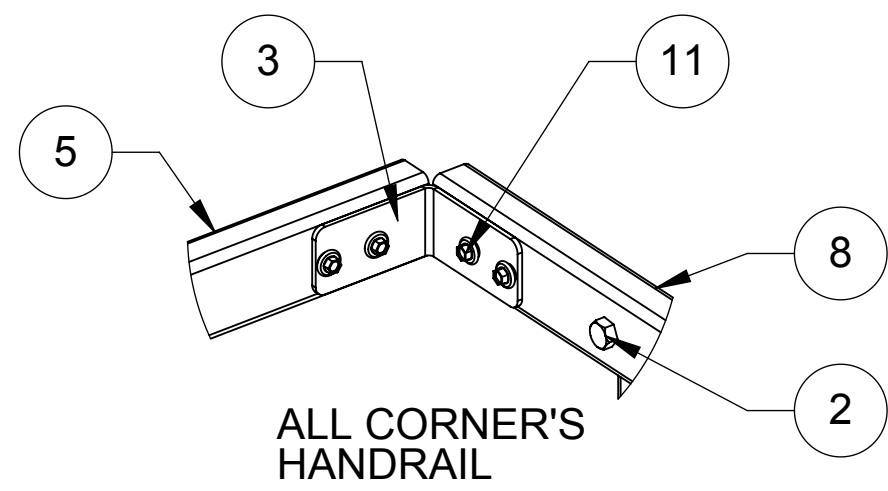


NOTES:  
 1.0 GENERAL  
 1.1 ALL METRIC DIMENSIONS ARE IN BRACKETS  
 2.0 DESIGN NOTES  
 3.0 MANUFACTURING/SPECIAL REQUIRMENTS  
 4.0 TEST  
 5.0 PACKAGING

REVISIONS				
REV.	ECN	DESCRIPTION	BY	DATE
A	8000030684	INITIAL RELEASE	RDL	07/13/18
B	8000032546	ADDED VIEWS TO HELP ASSEMBLY	MRC	11/19/18



ITEM	PART NO.	DESCRIPTION	QTY.	WEIGHT	NOTE NO.
1	GB-03105	3/8" X 1" GALV BOLT KIT	36	0.05 LBS	
2	GB-03205	3/8" X 2" GALV BOLT KIT	24	0.08 LBS	
3	MTC3979HR19	ANGLE BRKT, HANDRAIL	12	0.32 LBS	
4	MTC403721	POST, HANDRAIL	12	9.98 LBS	
5	MTC40378816	HANDRAIL, HORIZONTAL, 94"	4	16.80 LBS	
6	MTC4037HR12	HANDRAIL, HORIZONTAL, 23"	4	4.10 LBS	
7	MTC4037HR13	PLATE, HANDRAIL TOEBOARD	2	4.04 LBS	
8	MTC4037HR14	HANDRAIL, HORIZONTAL, 46"	4	8.22 LBS	
9	MTC4037HR15	PLATE, HANDRAIL TOEBOARD	2	16.58 LBS	
10	MTC4037HR16	PLATE, HANDRAIL TOEBOARD	2	8.11 LBS	
11	TS1275	TEK SCREW #12 X 3/4, WITH NEOPRENE WASHER	48	0.02 LBS	
12	GWFF-03	3/8" GALV FLAT WASHER	24	0.01 LBS	

**COMMSCOPE, INC. OF NORTH CAROLINA**

TOLERANCES		SAP MATERIAL MASTER																											
0 PLACE X ± .25	2 PLACE .XX ± 0.06	<b>MTC4037HR</b>																											
1 PLACE .X ± 0.12	ANGLES ± 2°																												
FINISH GALV A123		MATERIAL A1011/A1018, A500																											
<small>UNLESS OTHERWISE SPECIFIED DIMENSIONS ARE IN INCHES INTERPRET PER ANSI Y 14.5M-1994</small>		NAME	DATE	<b>8x8 PLATFORM HANDRAIL W TOE BOARD</b>																									
		CE MRC	06/26/18																										
		RW BCAMPBELLCON	11/20/2018																										
		RV MC1107	11/20/2018																										
AD MC1107	11/20/2018	SCALE	DOCUMENT NO.	<b>MTC4037HR</b>																									
RE RD1048	11/21/2018	1:12																											
ECN 008000032546		SIZE	WORK AREA 24	MODEL																									
<table border="1" style="width: 100%;"> <tr> <td>DENSITY</td> <td>0</td> <td>lbs/in<sup>3</sup></td> </tr> <tr> <td>MASS</td> <td>1415</td> <td>lbs</td> </tr> <tr> <td>VOLUME</td> <td></td> <td>in<sup>3</sup></td> </tr> <tr> <td>SURFACE AREA</td> <td></td> <td>in<sup>2</sup></td> </tr> <tr> <td>HEIGHT</td> <td></td> <td></td> </tr> <tr> <td>LENGTH</td> <td></td> <td></td> </tr> <tr> <td>WIDTH</td> <td></td> <td></td> </tr> </table>		DENSITY	0	lbs/in <sup>3</sup>	MASS	1415	lbs	VOLUME		in <sup>3</sup>	SURFACE AREA		in <sup>2</sup>	HEIGHT			LENGTH			WIDTH			VERSION	STATUS	REVISION	VERSION	STATUS	REVISION	SHEET 1 OF 5
		DENSITY	0	lbs/in <sup>3</sup>																									
		MASS	1415	lbs																									
VOLUME		in <sup>3</sup>																											
SURFACE AREA		in <sup>2</sup>																											
HEIGHT																													
LENGTH																													
WIDTH																													
C	AR	A	01	AR	B																								
DRAWING																													

4

3

2

1

NOTES:

D

D

C

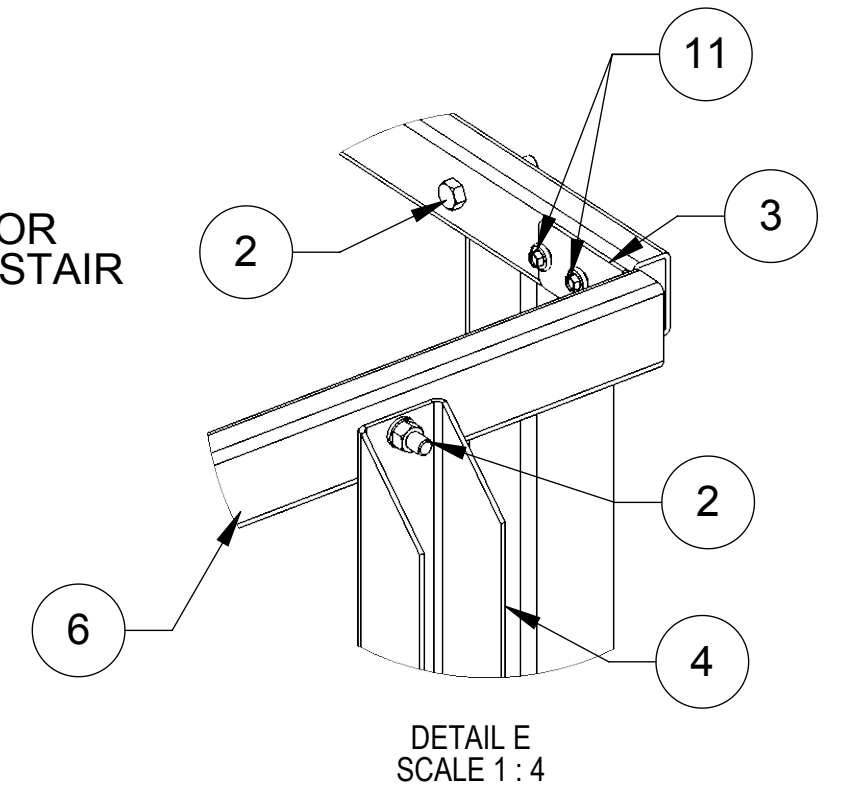
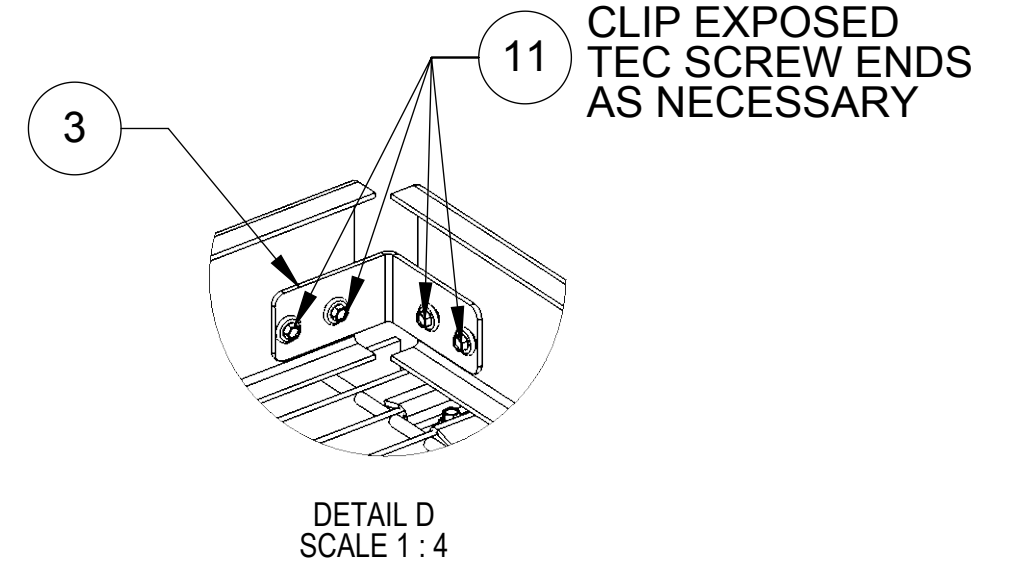
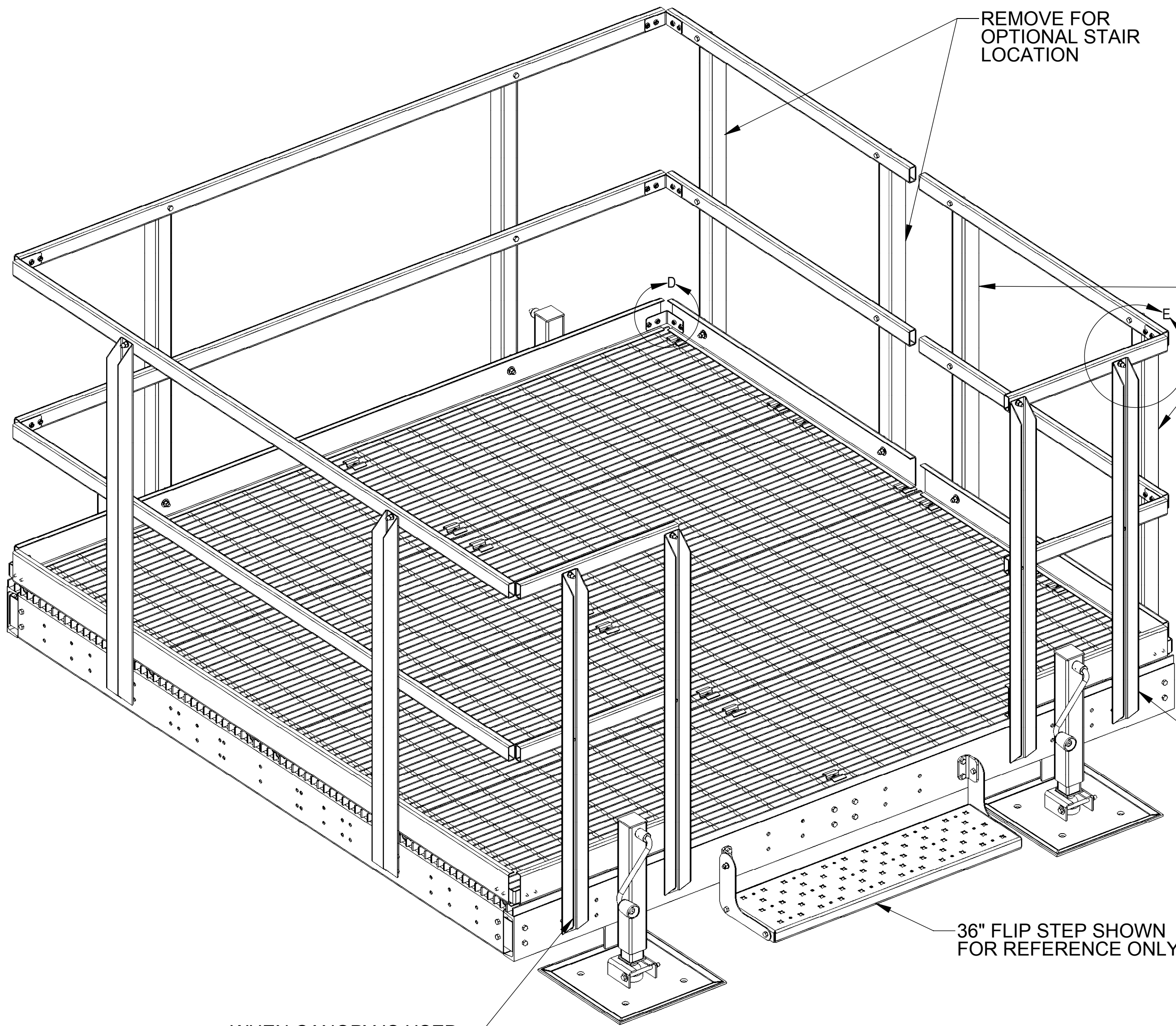
C

B

B

A

A



WHEN CANOPY IS USED  
REMOVE POST AND TECH  
SCREW HANDRAIL INTO 4"  
CANOPY POST. TWO TS1275  
SCREWS PER POST

WHEN CANOPY IS USED  
REMOVE POST AND TECH  
SCREW HANDRAIL INTO 4"  
CANOPY POST. TWO TS1275  
SCREWS PER POST

COMMSCOPE, INC. OF NORTH CAROLINA				
TITLE 8x8 PLATFORM HANDRAIL W TOE BOARD				
SIZE C	SCALE 1:10	DOCUMENT NO. MTC4037HR		
DRAWING		VERSION	STATUS	REVISION
		01	AR	B
				SHEET 2 OF 5

4

3

2

1

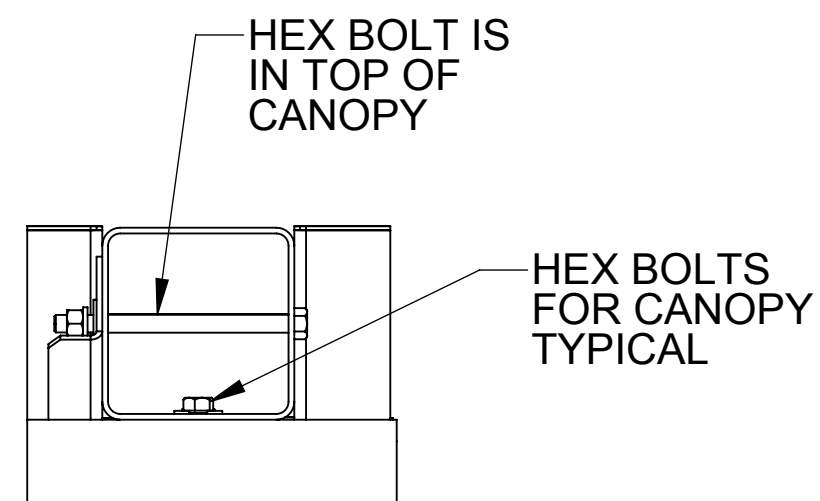
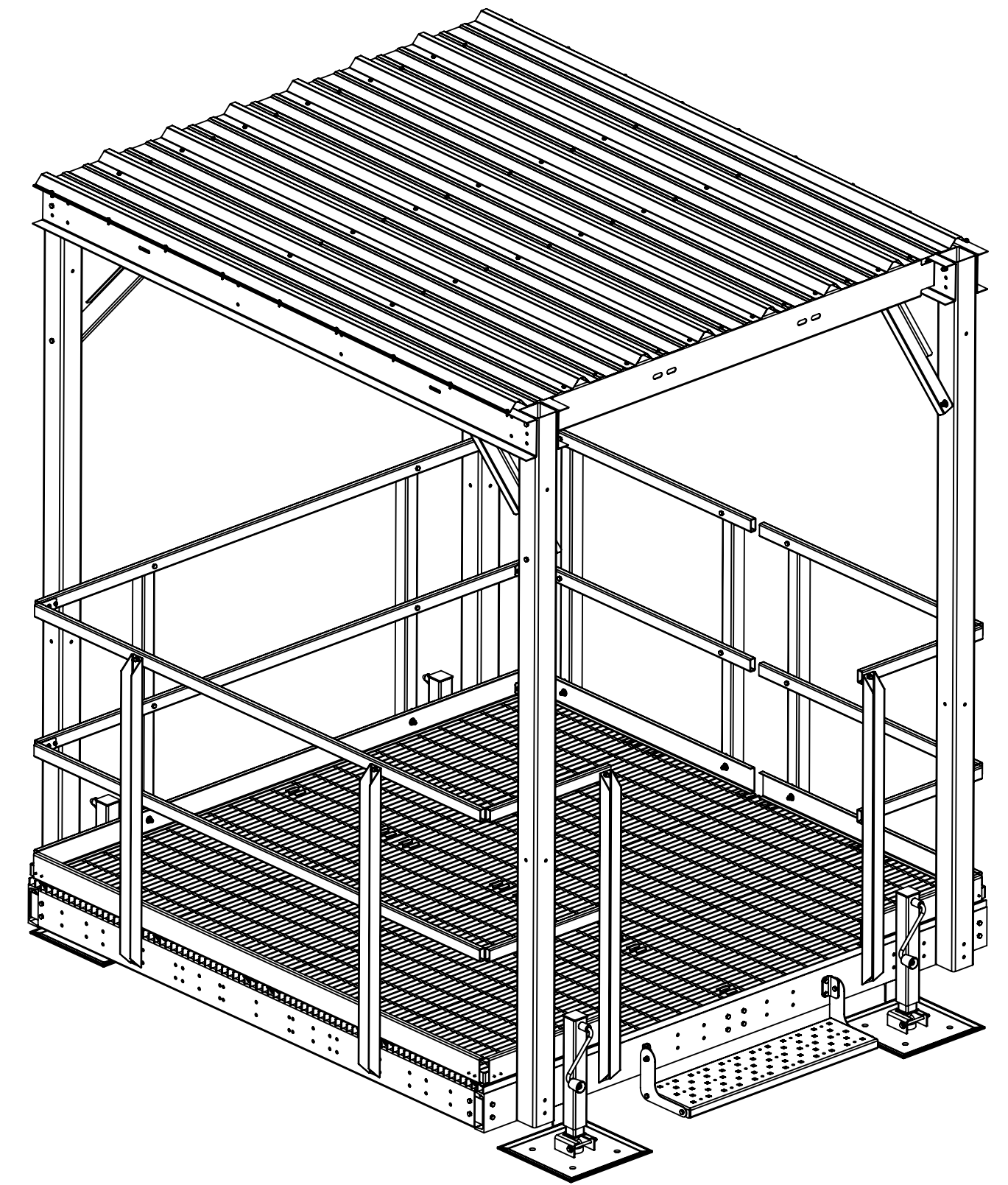
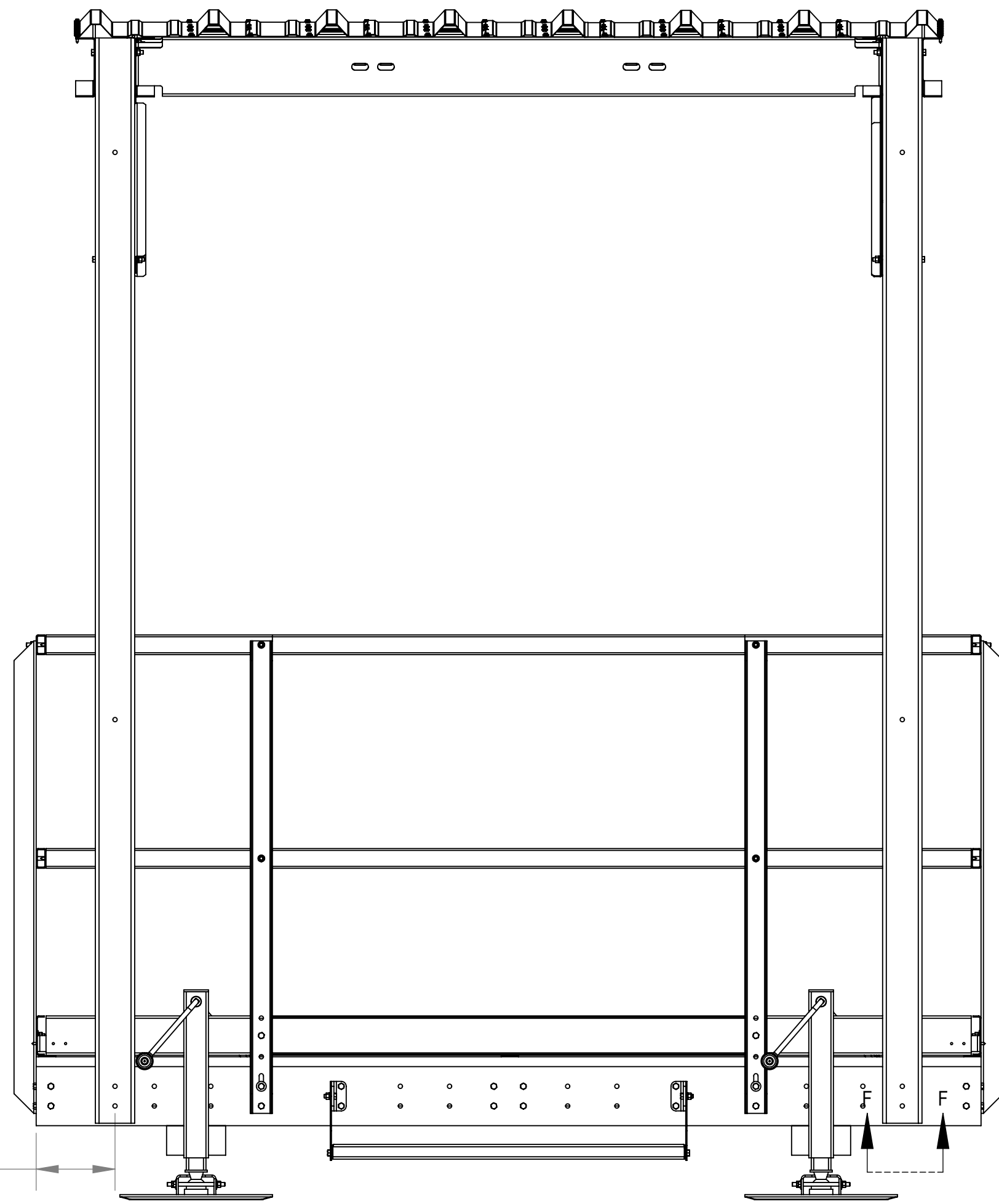
4

3

2

1

NOTES:



SECTION F-F  
SCALE 1 : 4

COMMSCOPE, INC. OF NORTH CAROLINA				
TITLE 8x8 PLATFORM HANDRAIL W TOE BOARD				
SIZE C	SCALE 1:12	DOCUMENT NO. MTC4037HR		
		DRAWING		SHEET 3 OF 5
		VERSION 01	STATUS AR	

© 2018 CommScope, Inc.

4

3

2

1

4

3

2

1

D

D

D

D

C

C

C

C

B

B

B

B

A

A

A

A

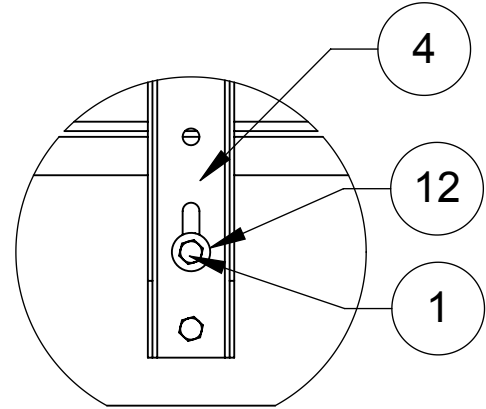
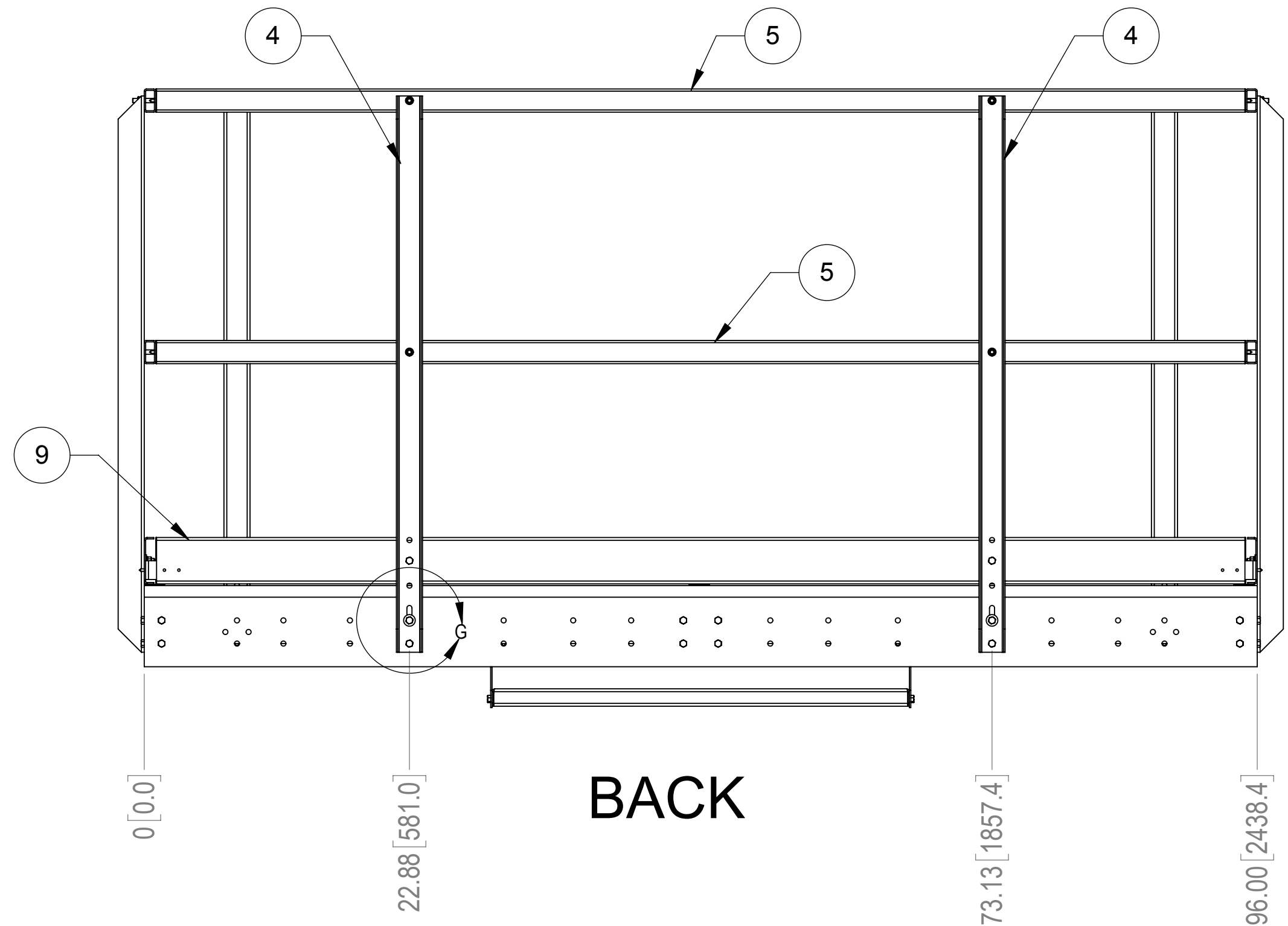
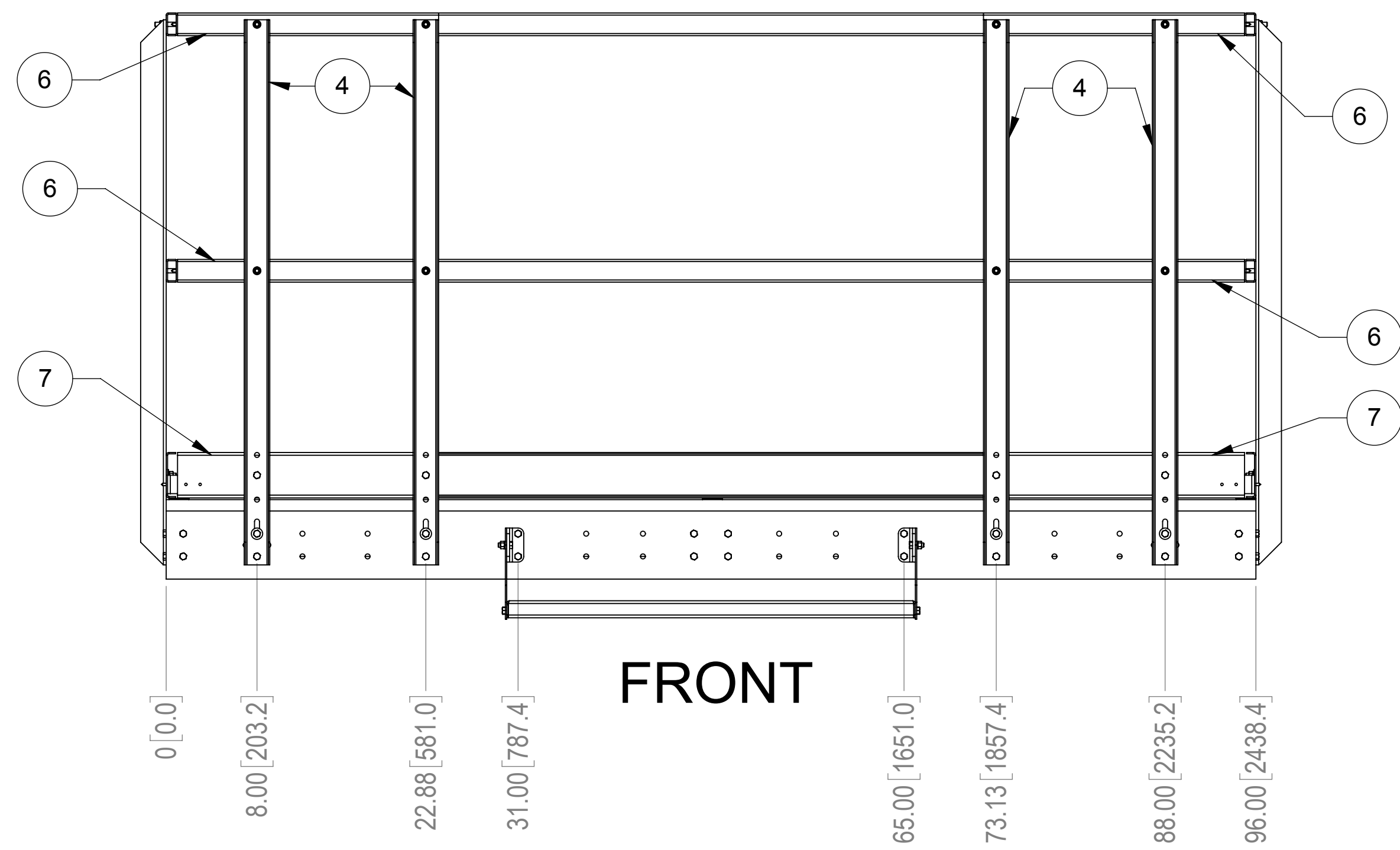
4

3

2

1

NOTES:



TYPICAL ALL HANDRAIL POSTS

DETAIL G  
SCALE 1:5

COMMSCOPE, INC. OF NORTH CAROLINA				
TITLE 8x8 PLATFORM HANDRAIL W TOE BOARD				
SIZE <b>C</b>	SCALE <b>1:10</b>	DOCUMENT NO. MTC4037HR		
		DRAWING		SHEET
		VERSION	STATUS	REVISION
		01	AR	B
				4 OF 5

© 2018 CommScope, Inc.

4

3

2

1

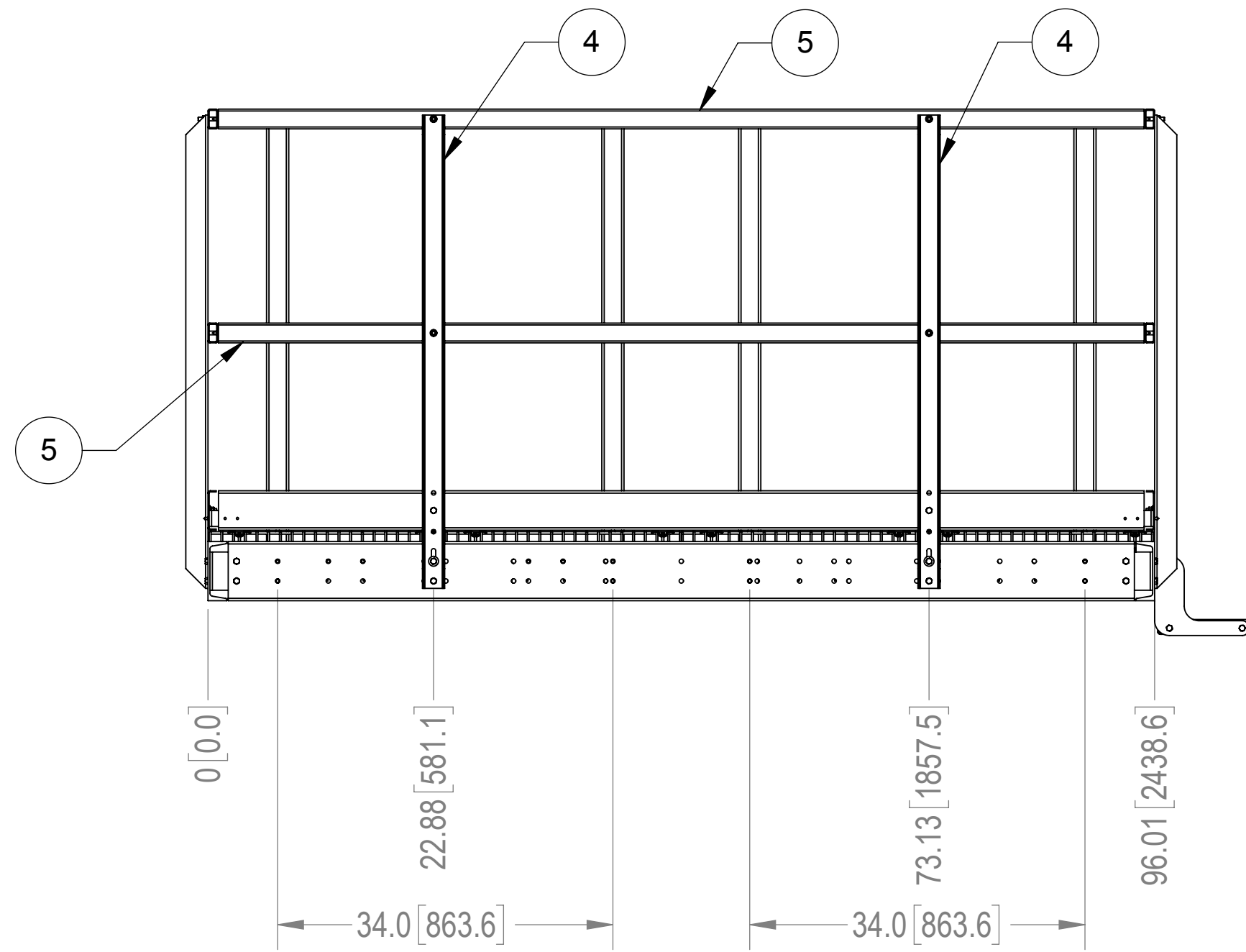
4

3

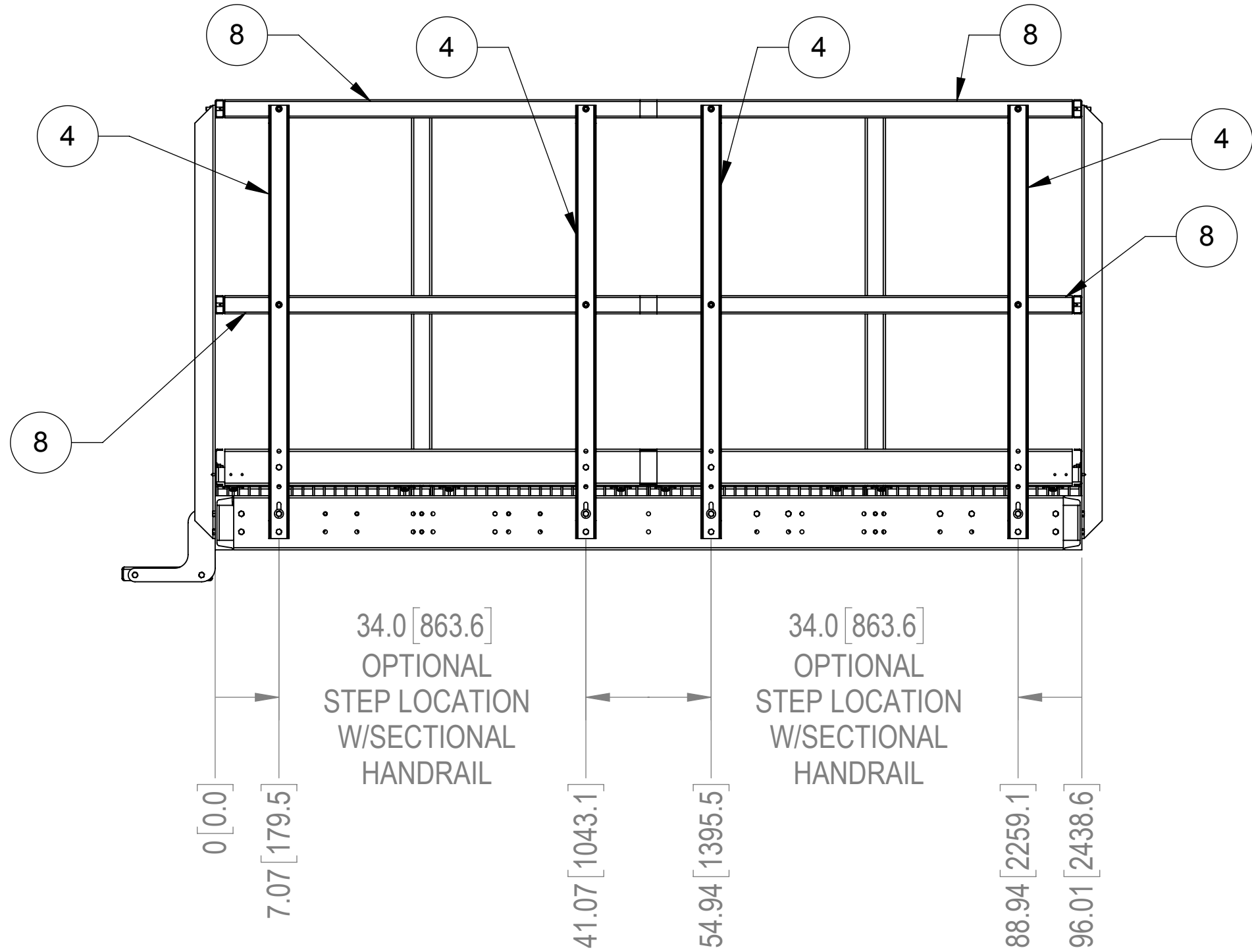
2

1

NOTES:  
1.0 HAND RAIL & STEP  
CAN BE MOUNTED  
TO EITHER SIDE



LEFT SIDE



RIGHT SIDE

COMMSCOPE, INC. OF NORTH CAROLINA				
TITLE 8x8 PLATFORM HANDRAIL W TOE BOARD				
SIZE C	SCALE 1:14	DOCUMENT NO. MTC4037HR		
		DRAWING		SHEET
		VERSION 01	STATUS AR	REVISION B

© 2018 CommScope, Inc.

4

3

2

1