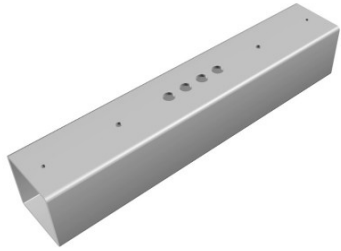


# MT-F1598

---



PVC Roof Sleeper, for four coaxial cable runs

## Product Classification

**Product Type** Roof sleeper

## General Specifications

**Cable Runs, quantity** 4

**Hole, quantity** 4

**Mounting** Non-penetrating

## Dimensions

**Height** 101.6 mm | 4 in

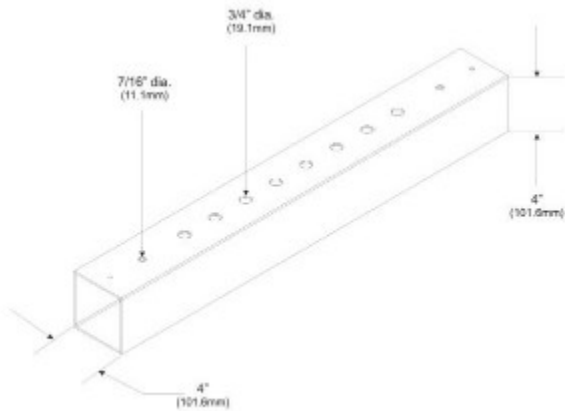
**Width** 101.6 mm | 4 in

**Length** 558.8 mm | 22 in

**Hole Size** 3/4 in

# MT-F1598

## Outline Drawing



## Material Specifications

**Material Type** PVC

## Mechanical Specifications

**Wind Rating** For Specifications, please contact your local ANDREW representative

## Packaging and Weights

**Included** Sleeper

**Packaging quantity** 1

**Weight, net** 1.3 kg | 2.866 lb

## Regulatory Compliance/Certifications

### Agency

ISO 9001:2015

### Classification

Designed, manufactured and/or distributed under this quality management system

## \* Footnotes

**Wind Rating** BWS—Base Wind Speed; FBC—Florida Building Code